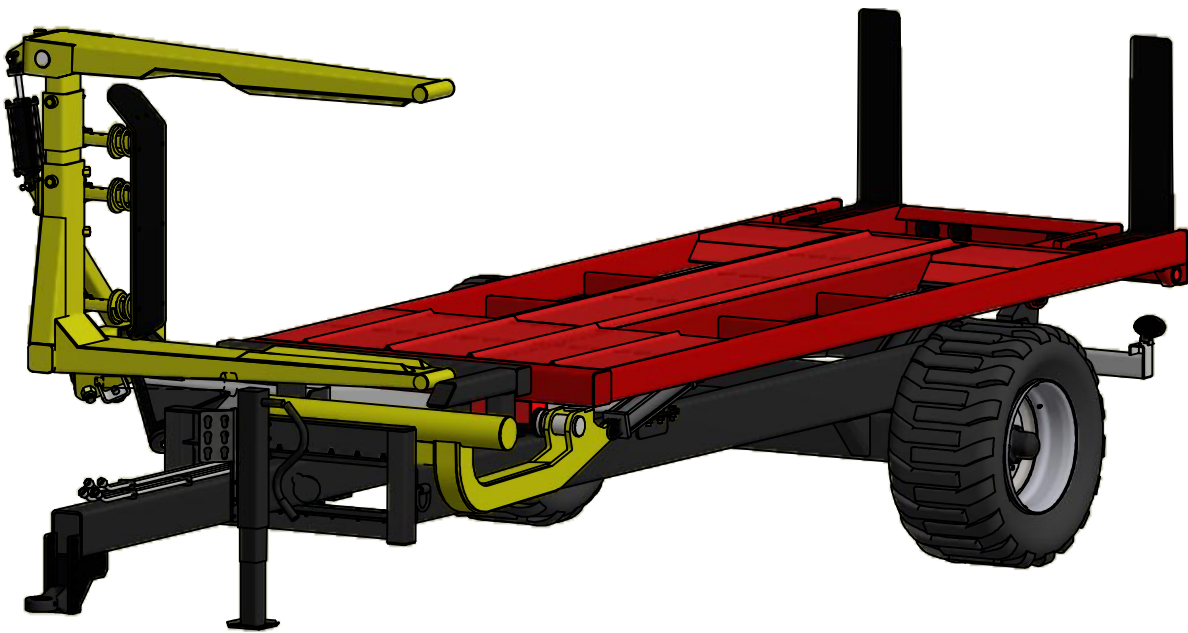

LS-1850

Large BaleStacker

1.2



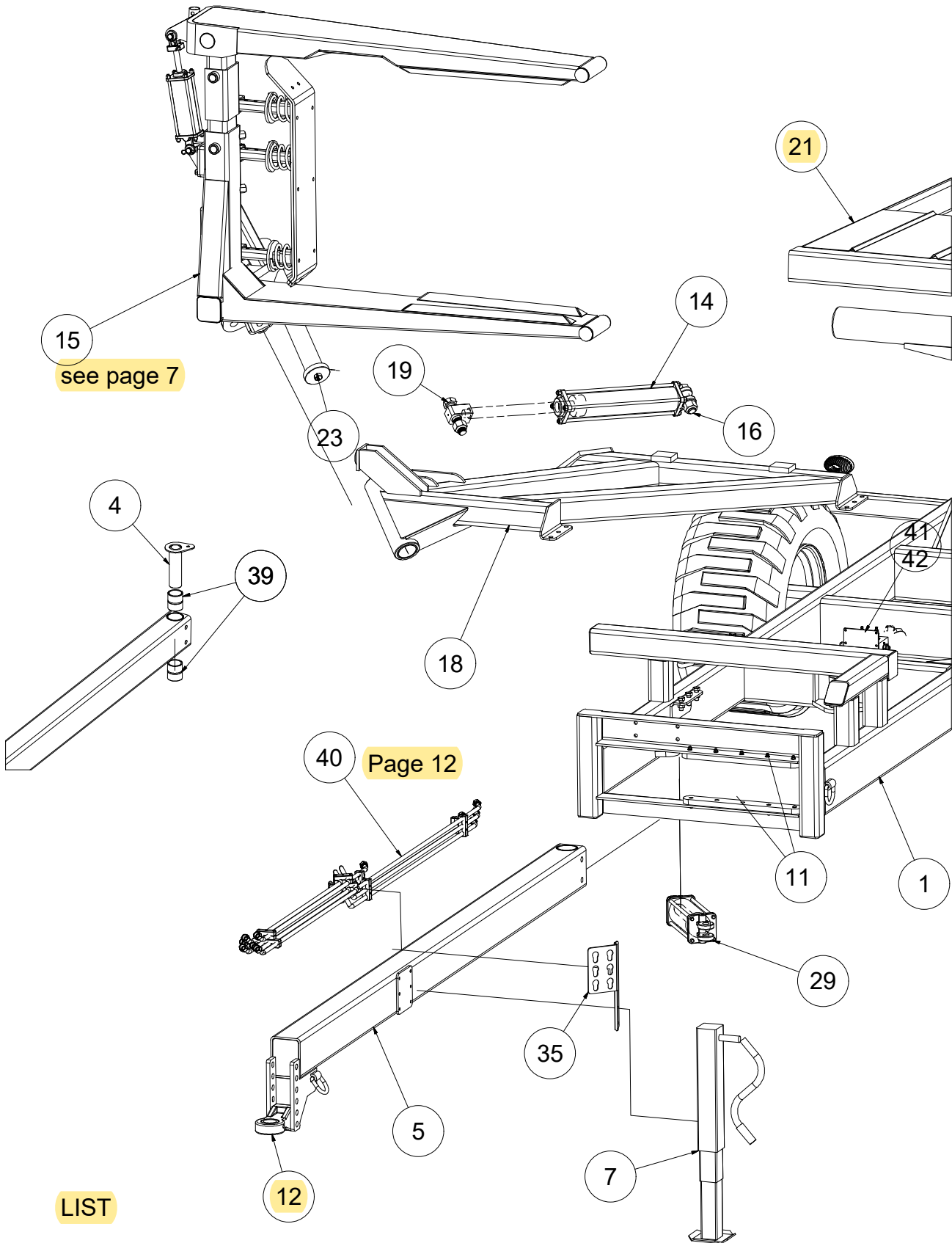
Parts Manual

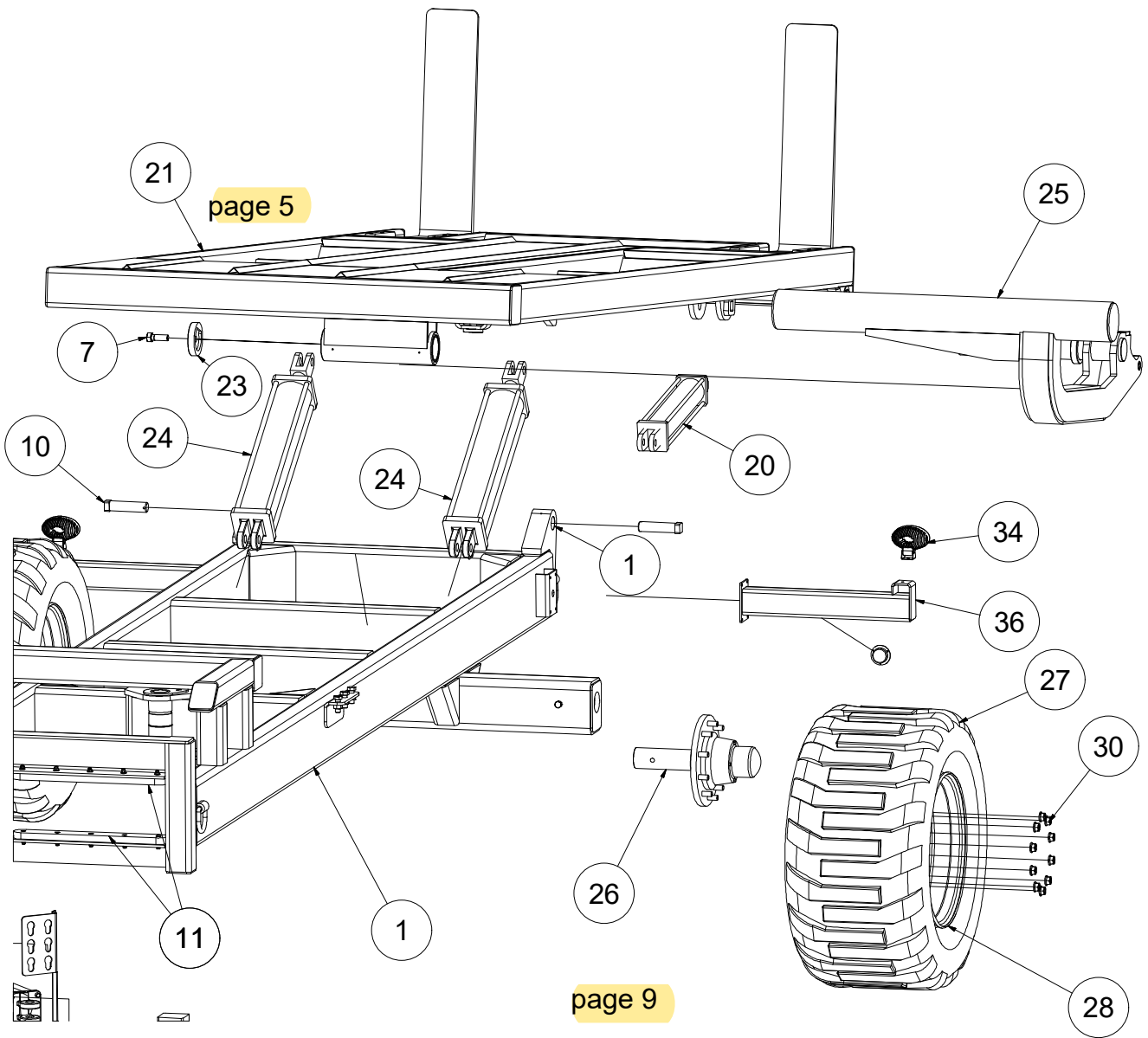
Mil-Stak Mfg. 2201 Hwy 30 West Fruitland Idaho 83619
208-452-6045 fax 208-452-6065

Patent Pending

LS-1850 Parts Index

ITEM	PART NUMBER	DESCRIPTION	PAGE
1	7P0450	LS-1850 Frame	4
2	1P0140	Adjustable Stop	6
3	2P5445	Nut 3/4-10, Grade 8	
4	7P1510	LS Tonque Pivot PIn	3
5	7P0251	LS-1500 Tongue	3
6	7P0175-0	Fork slide bottom plate	5,6
7	3P6000	Jack Stand	3
8	4P5225	Bolt, 5/8-18 x 7, Grade 8	
9	2P5360	Nut, 5/8-18, Grade 8	
10	3P0640	Pin, Stack Bed Pivot	4,6
11	7P0243-0	UHMW Tongue Bearing	3,4
12	4A0505	Hitch Ball, HD	13
13	4P5245	Washer, 3/4, Spring Lock	
14	7P4050	4x20 hyd cyl	3
15	LS 1032	Mil-Stack Clamp Asm	7
16	4P5380	Nut, 1.5-6	
17	4P5365	Washer, Flat, 1"	
18	100887	LS CPF Asm	3
19	4P5375	Bolt 1.5-6 x7, Grade 8	
20	7P4045	Hydraulic Cylinder, 3.5 x 18	4
21	7P0350-1850	LS 1850 Stackbed	4,5,6
22	7A0651	LS Fork Assembly	5
23	100292	Shaft Cap, LS Pushback	3,4
24	7P4060	Hydraulic Cylinder, 5 x 24	4
25	7A0100	Pushbar asm	4,10
26	LS Hub and Spindle	Axle & Hub Assembly	9
27	7P3500	550-45-22.5 tire	4
28	7P9505	Wheel 22.5x16	4
29	7P4055	4.5x10 Hydraulic cylinder	3
30	4P5235	Lug Nut	9
31	4P7560	Tail Light, 4", Red	5
32	4P7565	Tail Light, 4", Amber	5
33	4P7581	Side Marker Light, Flanged Red	5
34	5P6815	Work Light, Oval 2800 lm	4
35	100476	Hose keeper	3
36	100442	Light Bar End Assembly	4
37	100444	Light Bar, Right	
38	3P0116	Bronze Insert	3,4,6
39	100611	Bronze Bushing sm	3
40	100841	LS SS Hyd Line Package.	3,12
41	4A4020	Sequence Valve ,LS1850	11
42	101003	Mount Plate,Sequence Valve	3

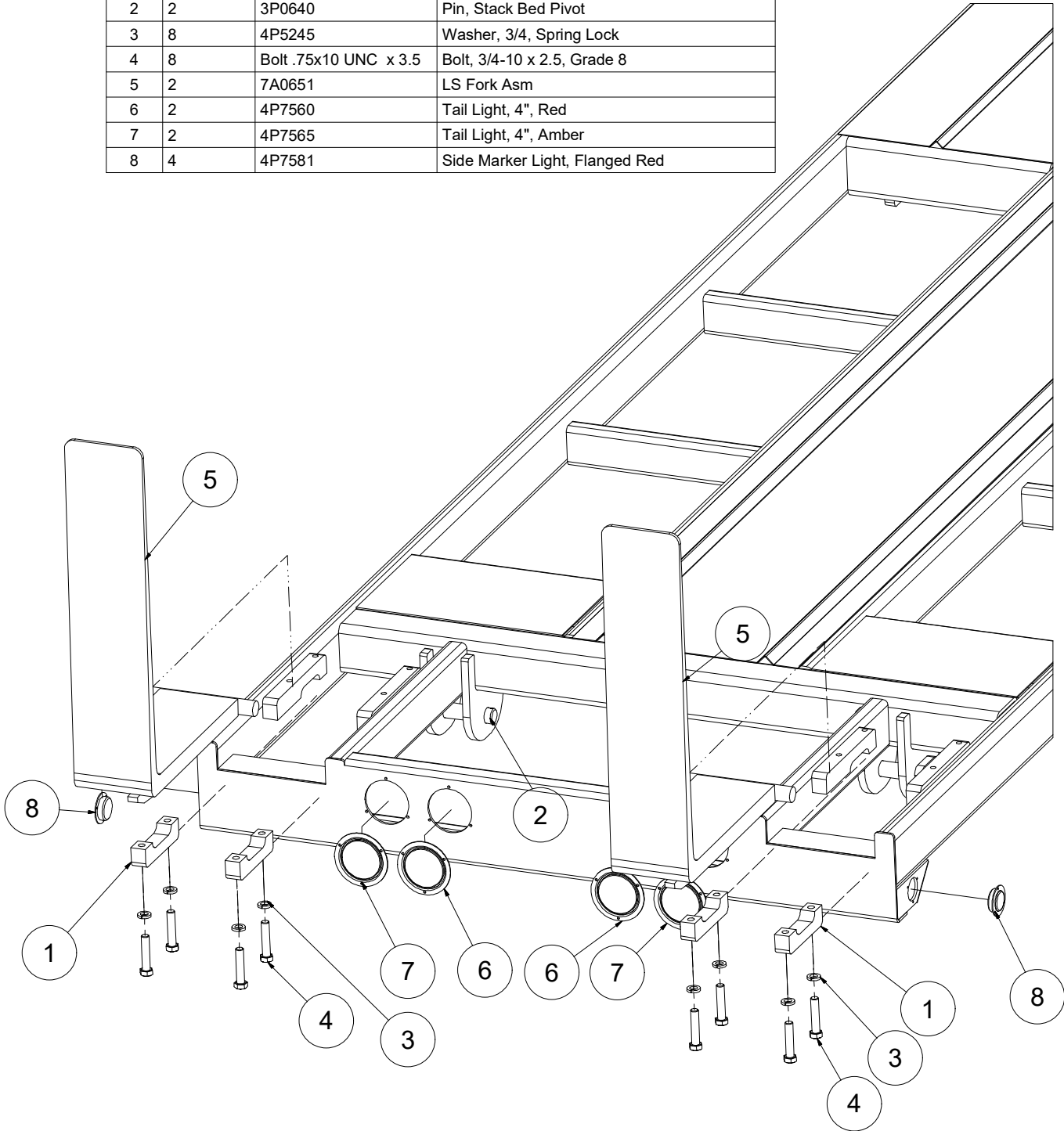




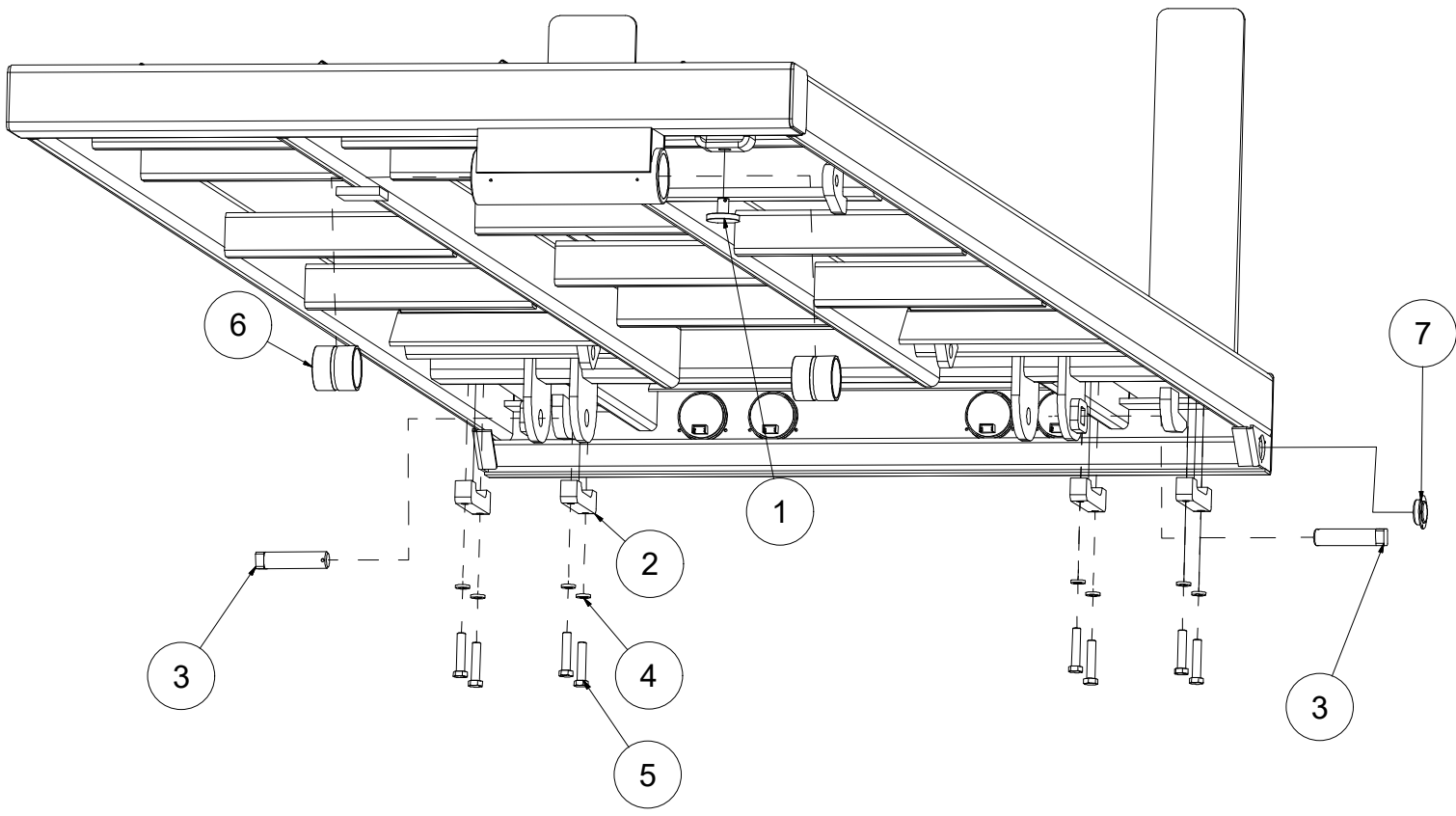
LIST

Stackbed Assembly

ITEM	QTY	PART NUMBER	DESCRIPTION
1	4	7P0175-0	Fork slide bottom plate
2	2	3P0640	Pin, Stack Bed Pivot
3	8	4P5245	Washer, 3/4, Spring Lock
4	8	Bolt .75x10 UNC x 3.5	Bolt, 3/4-10 x 2.5, Grade 8
5	2	7A0651	LS Fork Asm
6	2	4P7560	Tail Light, 4", Red
7	2	4P7565	Tail Light, 4", Amber
8	4	4P7581	Side Marker Light, Flanged Red

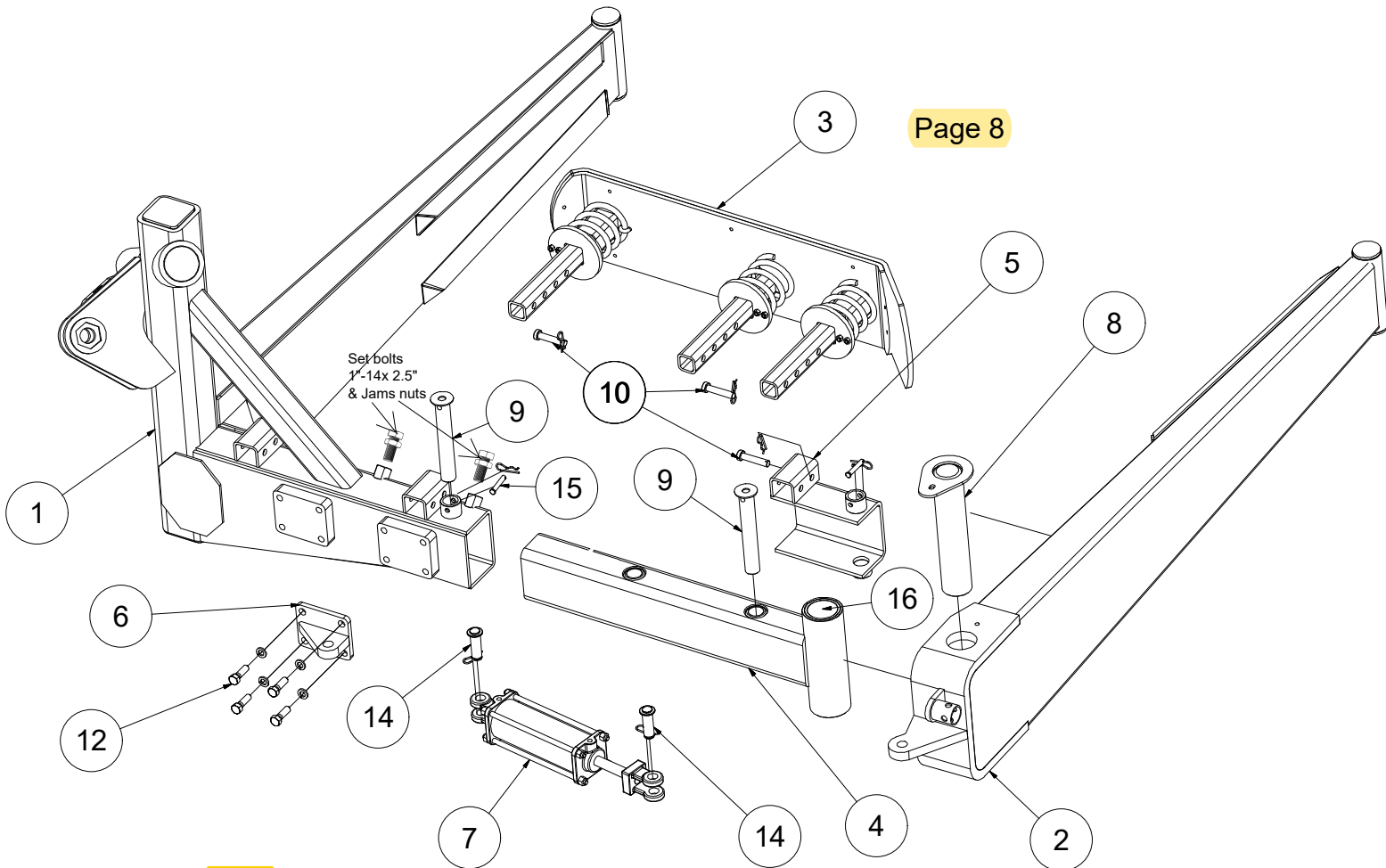


ITEM	QTY	PART NUMBER	DESCRIPTION	PAGE
1	3	1P0140	Adjustable Stop	
2	4	7P0175-0	Fork slide bottom plate	
3	2	3P0640	Pin, Stack Bed Pivot	
4	8	4P5245	Washer, 3/4, Spring Lock	
5	8	Bolt .75x10 UNC x 3.5	Bolt, 3/4-10 x 2.5, Grade 8	
6	2	3P0116	Bronze Bushing	
7	4	4P7581	Side Marker Light, Flanged Red	



LS Adjustable Bale Clamp 3x3 3x4

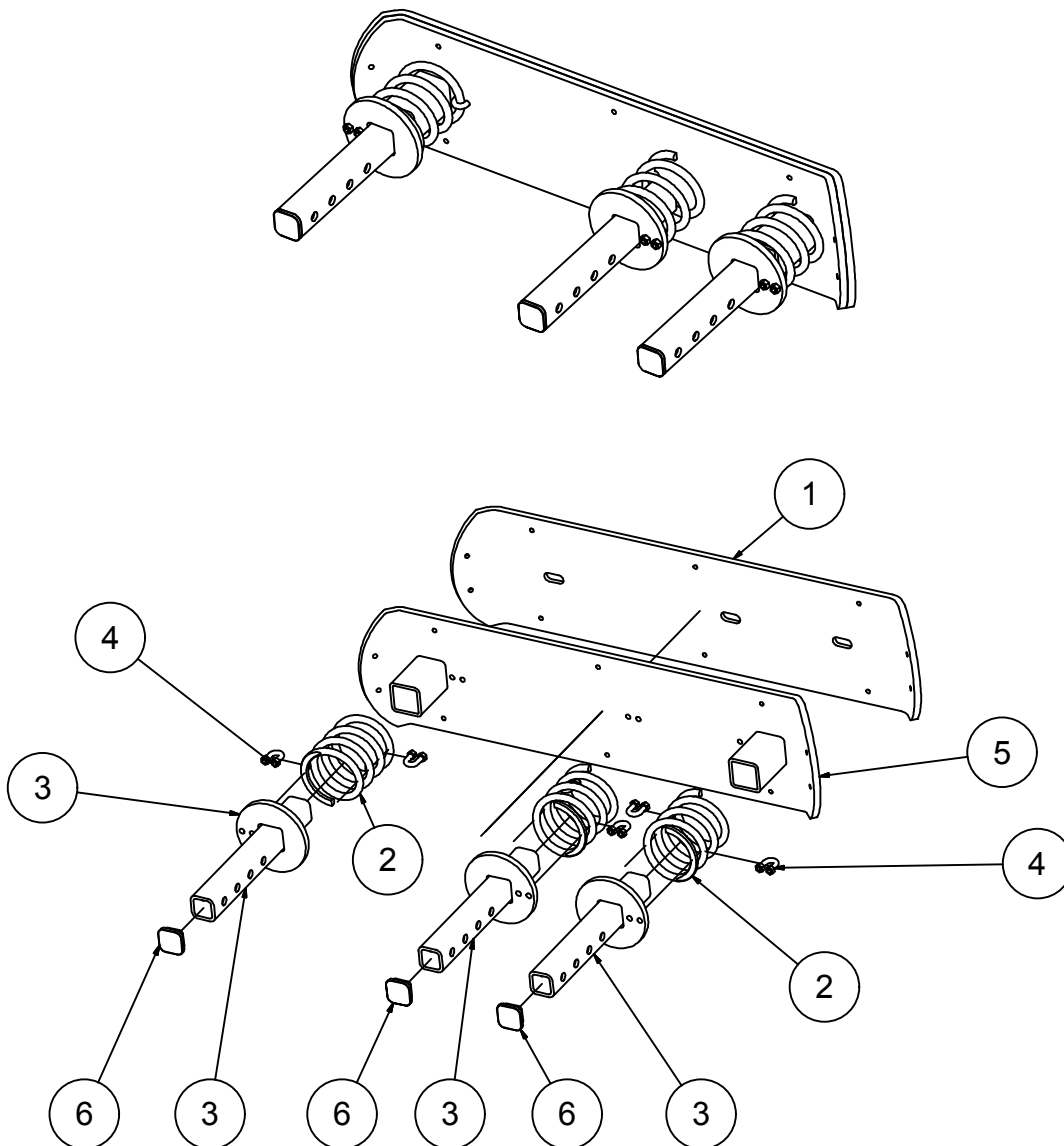
ITEM	PART NUMBER	DESCRIPTION	PAGE
1	7P0510	LS-1850 Left Arm	
2	1P1010	Right Arm	
3	100585	Cushion Bumper Assembly, Large	8
4	1P0650	Clamping Arm Extension Tube	
5	1P2200	Bumper Adapter "C" Bracket	
6	1P0620	Mount, Clamping Cylinder Rear	
7	2A4100	Hydraulic Cylinder, 3.5 x 8	
8	1P1510	Pivot Pin, Right Arm	
9	1P1550	Pin, Extension Tube Position	
10	2P6116	Adjusting Pin, Bale Cushion	
11	2P6104	Hairpin	
12	5/8-11 UNC - 2	Hex Bolt - UNC (Regular Thread - Inch)	
13	4P5040	Washer, 5/8, Spring Lock	
14	2P5100	1" diameter Clevis Pin	
15	4P5175	Clevis Pin, 7/16 x 2.5	
16	100611	Bronze Bearing 2-15/16 2 required	



Back

Cushion Bumper

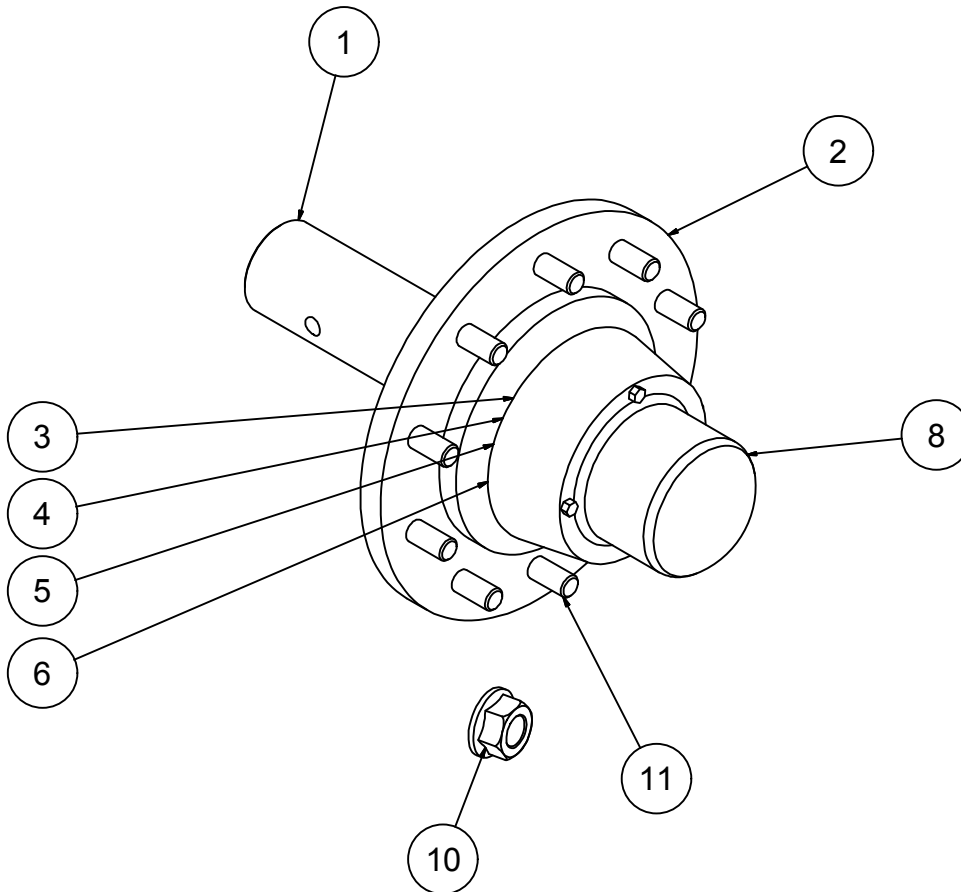
ITEM	PART NUMBER	DESCRIPTION	PAGE
	1A2010	Cushion Bumper	
1	100584	3x4 Cushion Bumper Plastic Wear Plate	
2	2P2115	Spring, Cushion Bumper	
3	1P2125	Cushion Bumper Tube Weldment	
4	1P2114	U-Bolt, 3/8-16	
5	1P2050	Cushion Bumper Shoe, Large	
6	1P2115	Cap, Cushion Bumper Tube	



[Back](#)

Axle and Hub Assembly

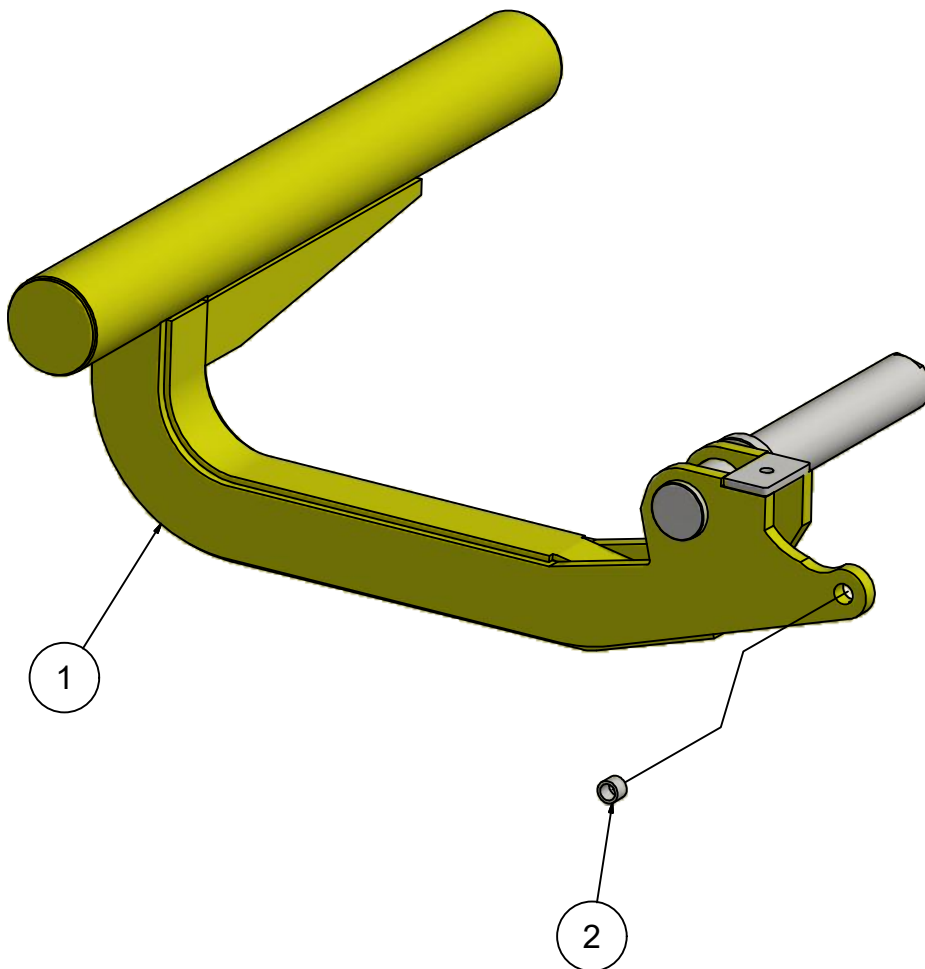
ITEM	PART NUMBER	DESCRIPTION	PAGE
1	7P3521	Axle Spindle	
2	7P3522	Axle Hub	
3	7P3523	Outer bearing	
4	7P3524	Outer Race	
5	7P3525	Inner Bearing	
6	7P3526	Inner Race	
7	7P3527	Seal	
8	7P3528	Hub Cap	
9	7P3529	Axle Nut	
10	4P5235	Lug nut	
11	7P3531	Wheel Stud	



Back

Bale Pushback

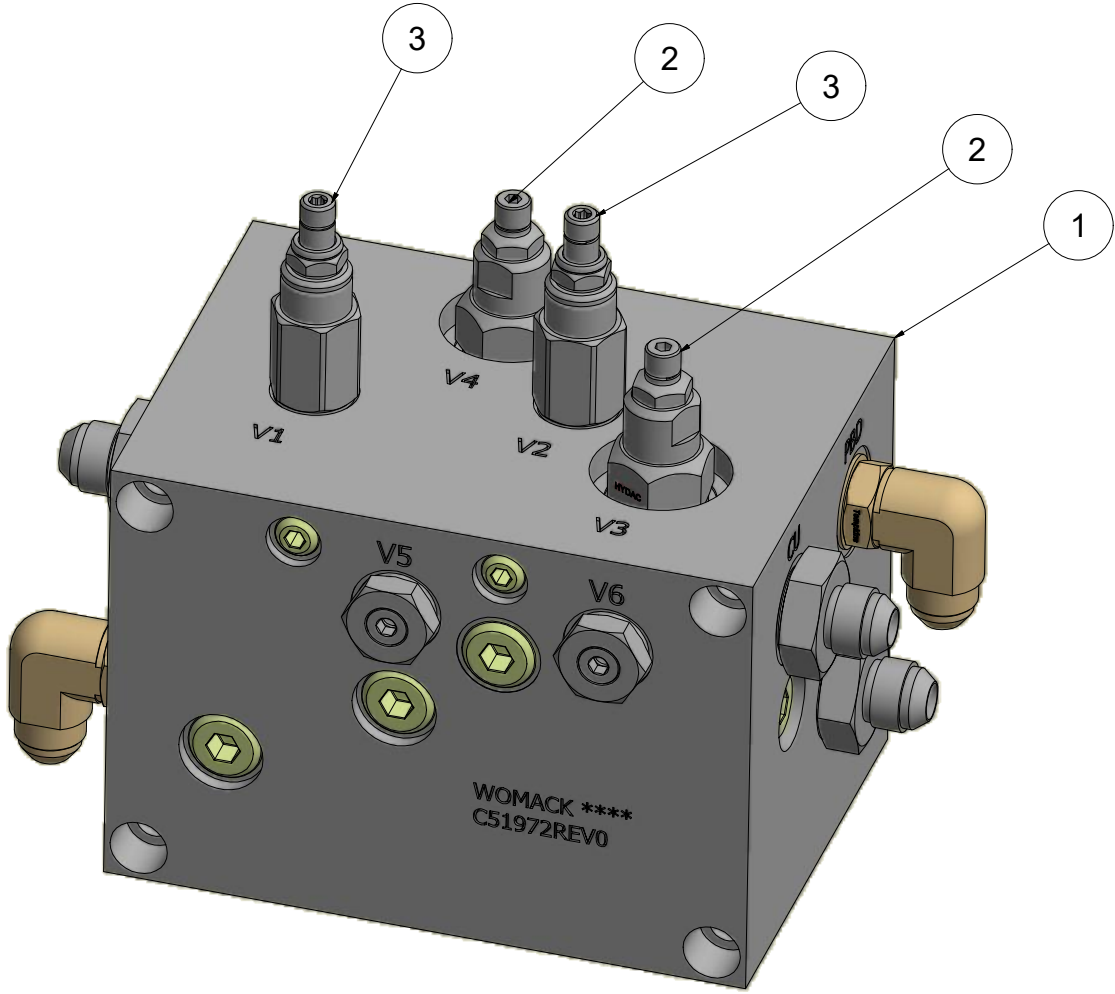
ITEM	PART NUMBER	DESCRIPTION	PAGE
1	7A0100	Bale Push back ASM	
2	100414	Hardened Bushing	



Back

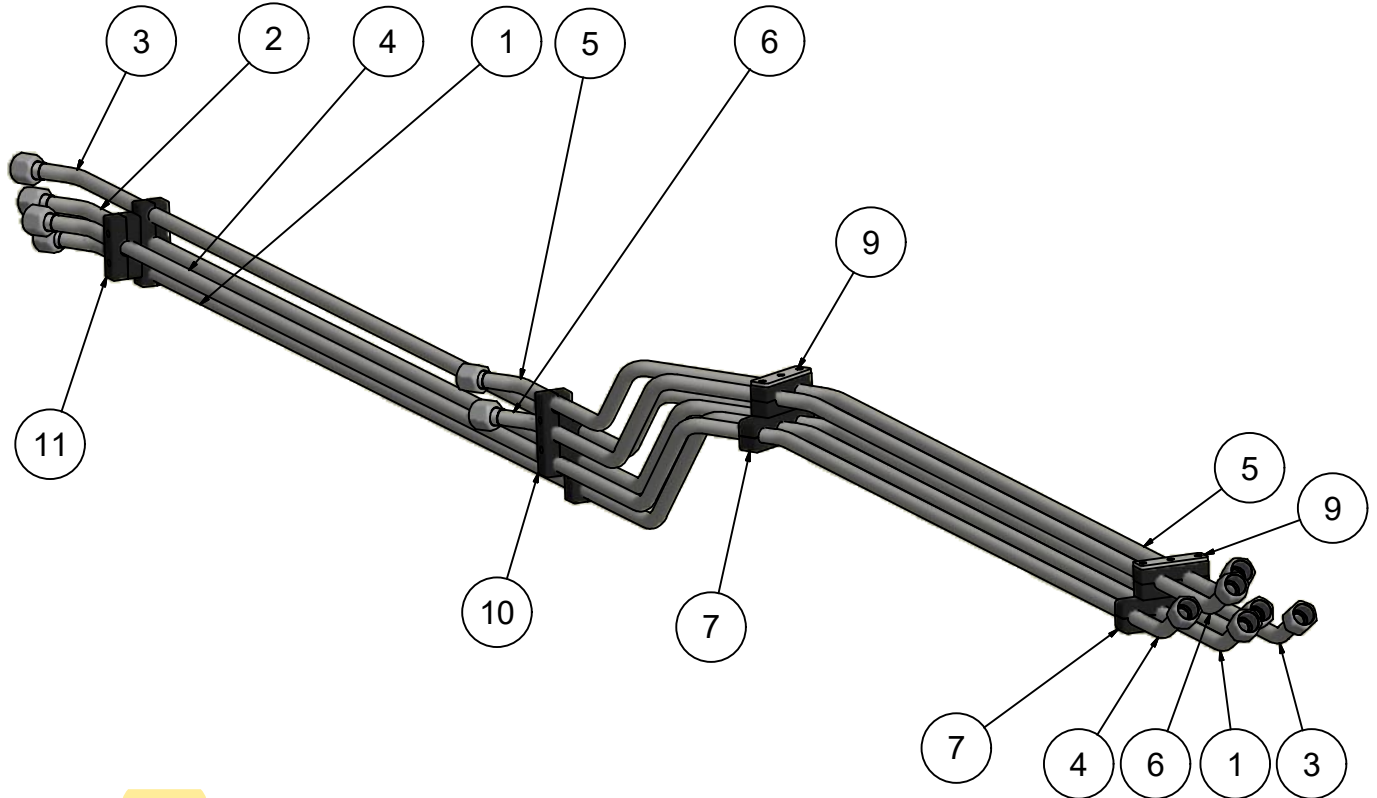
Hydraulic Sequence Valve Assembly 4A4020

ITEM	PART NUMBER	DESCRIPTION	PAGE
1	C51972	Valve Body	
2	SR10-1	Flow Control Valve	
3	SCCA LAN 1J57	Pressure Control Valve	



LS1850 SS Hyd Line,Hitch ASM 100953

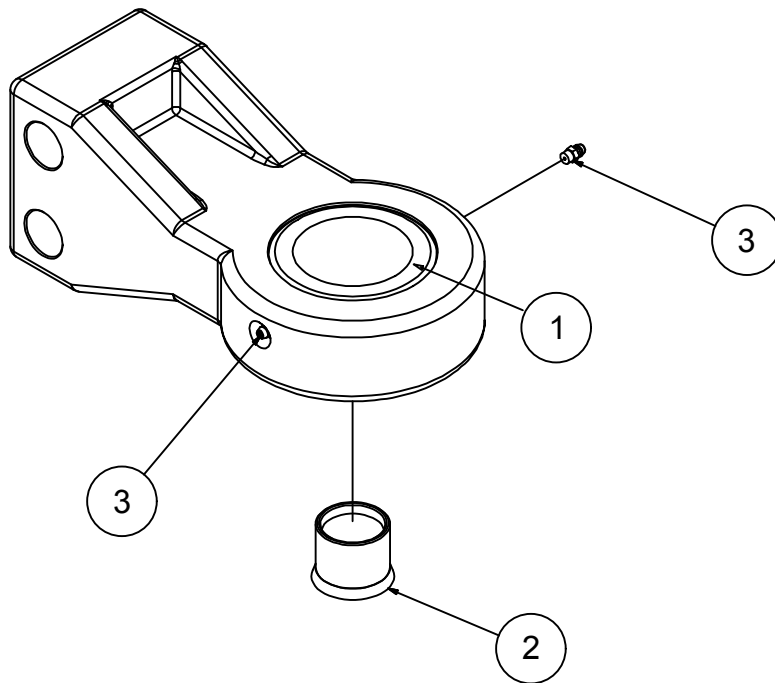
ITEM	PART NUMBER	DESCRIPTION	PAGE
1	100833	3/4 steel line ,Stackbed B	
2	100835	3/4 steel line,Clamp A	
3	100836	3/4 steel line,Clamp B	
4	100838	3/4 Steel line ,Stack Bed A	
5	100839	Hitch Line A	
6	100840	Hitch Line B	
7	100844	Hyd line mount .75 x 4	
8	100954	Hyd line mount .75 x 2pl	
9	100955	Cap,3/4 x 2 place	
10	100957	Hyd line mount .75 x 3 pl	
11	100958	Hyd line mount .75 x1 pl	



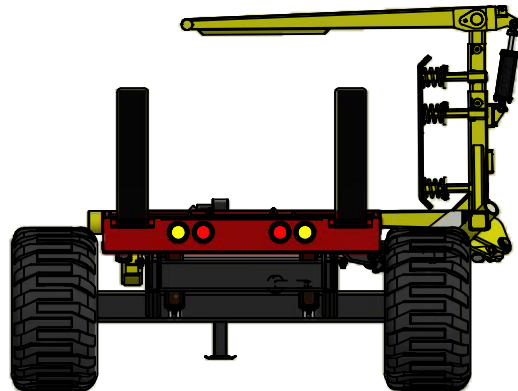
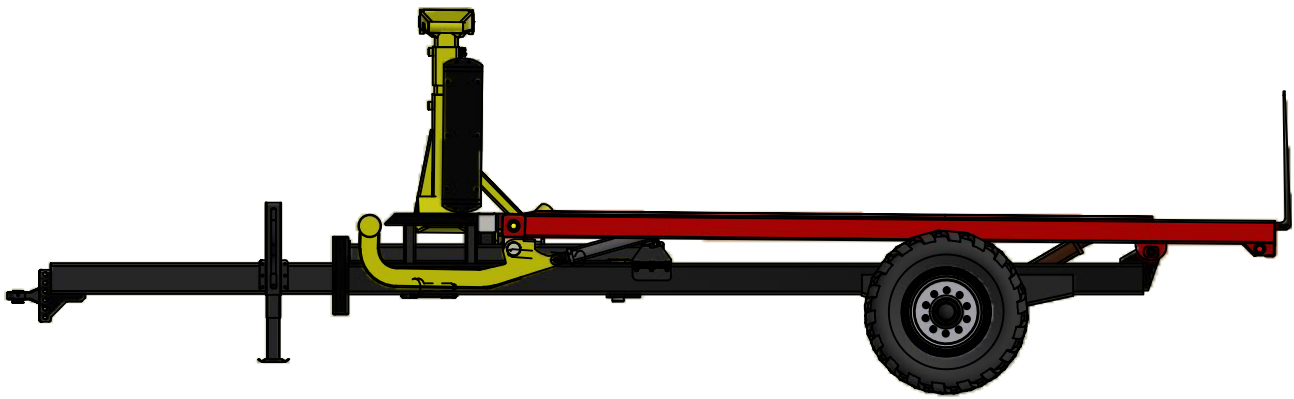
Back

Bull Pull

ITEM	PART NUMBER	DESCRIPTION	PAGE
1	4P0515	Ball, Bull Pull	
	4P0516	Snap Ring (Not Shown)	
2	4P0517	Bushing 1-1/4	
2	4P0518	Bushing 1-1/2	
3	4P5165	Grease Zerk, 1/4-28, Straight	



[Back](#)



Length 334 "
Over all Width 132.25"
Height 100"
Weight 9000 lbs