
Mil-Stak PT /2014 & PT/2016

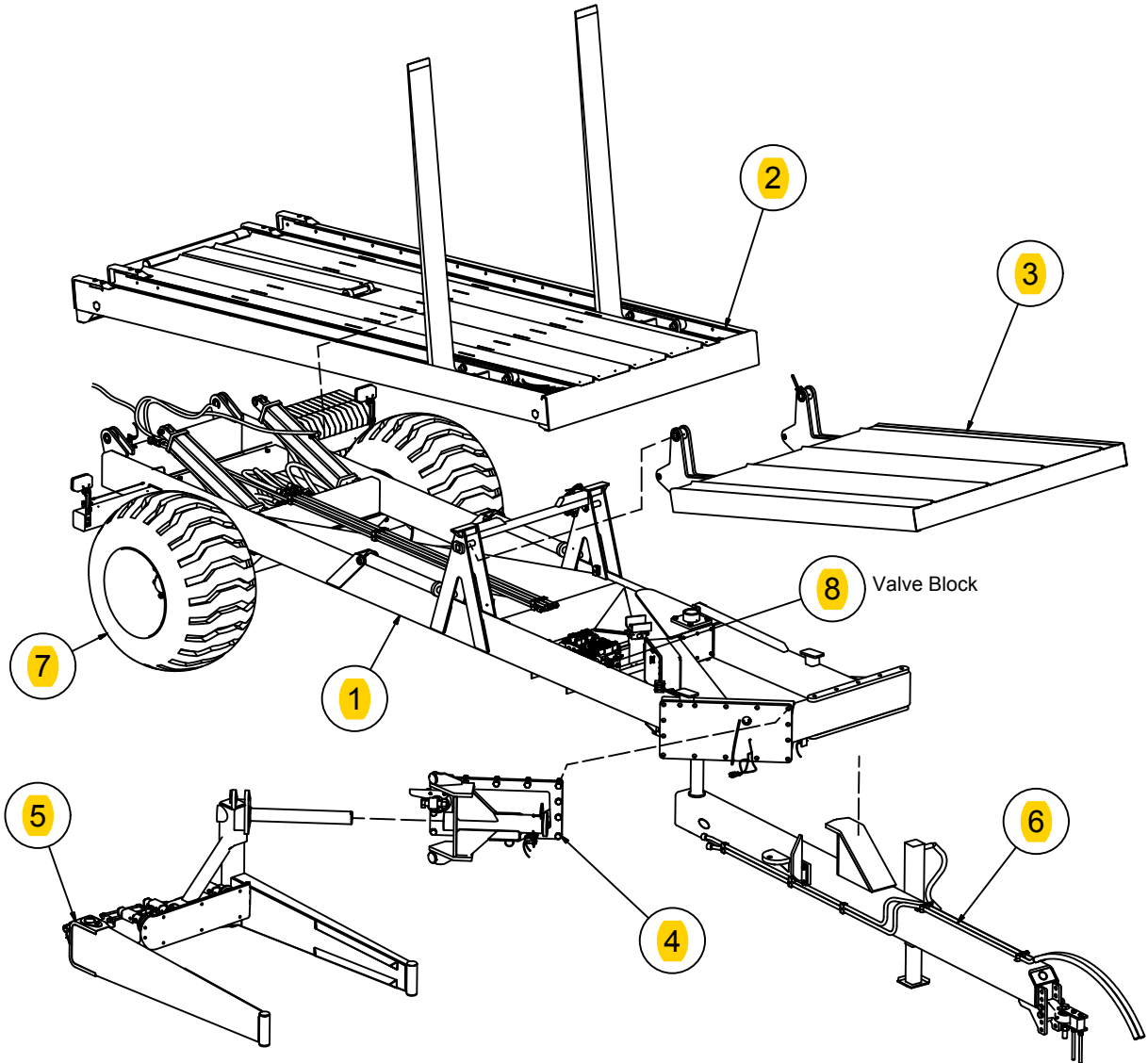
PARTS MANUAL

5.0



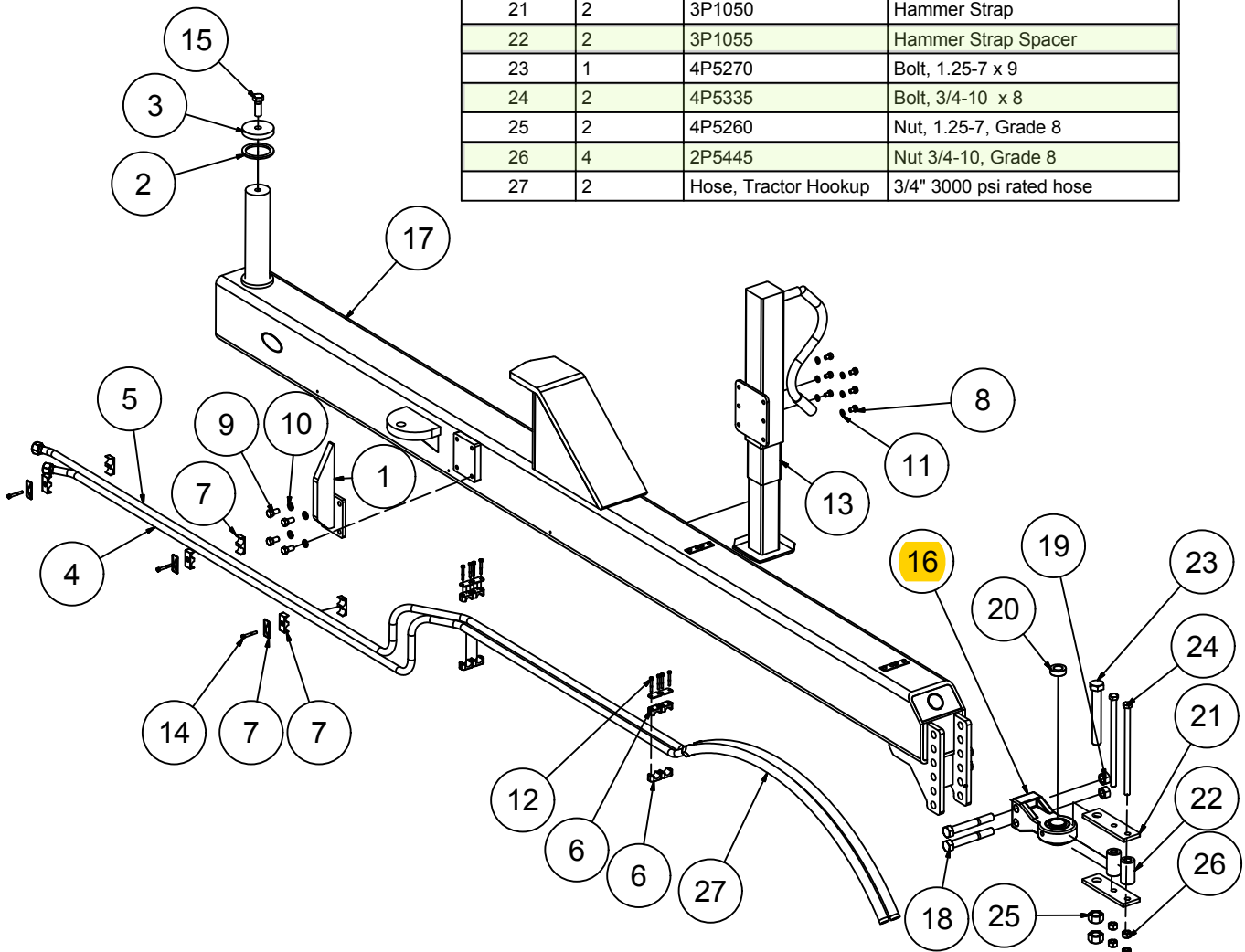
Mil-Stak Inc. 2201 Hwy 30 West Fruitland Idaho 83619 Phone 208-452-6045 ext 3

Main Assemblies			
ITEM	PART NUMBER	DESCRIPTION	PAGE
1	3P0450	Frame Assembly	8, 9, 10, 11
2	3P0350	PT Stackbed Assembly	12, 13, 14, 16
3	3P1250	Receiving Table Assembly 2014	20
4	3P0135	Bale Loader Pivot Frame	4
5	PT 1032	Mil-Stak Bale Loader	5
6	3P0250	Hitch Assembly	3
7	Wheel Assembly	Wheel Assembly	21
8	Valve Block	Valve Block Assembly.	22



PT 2016 Hitch Assembly

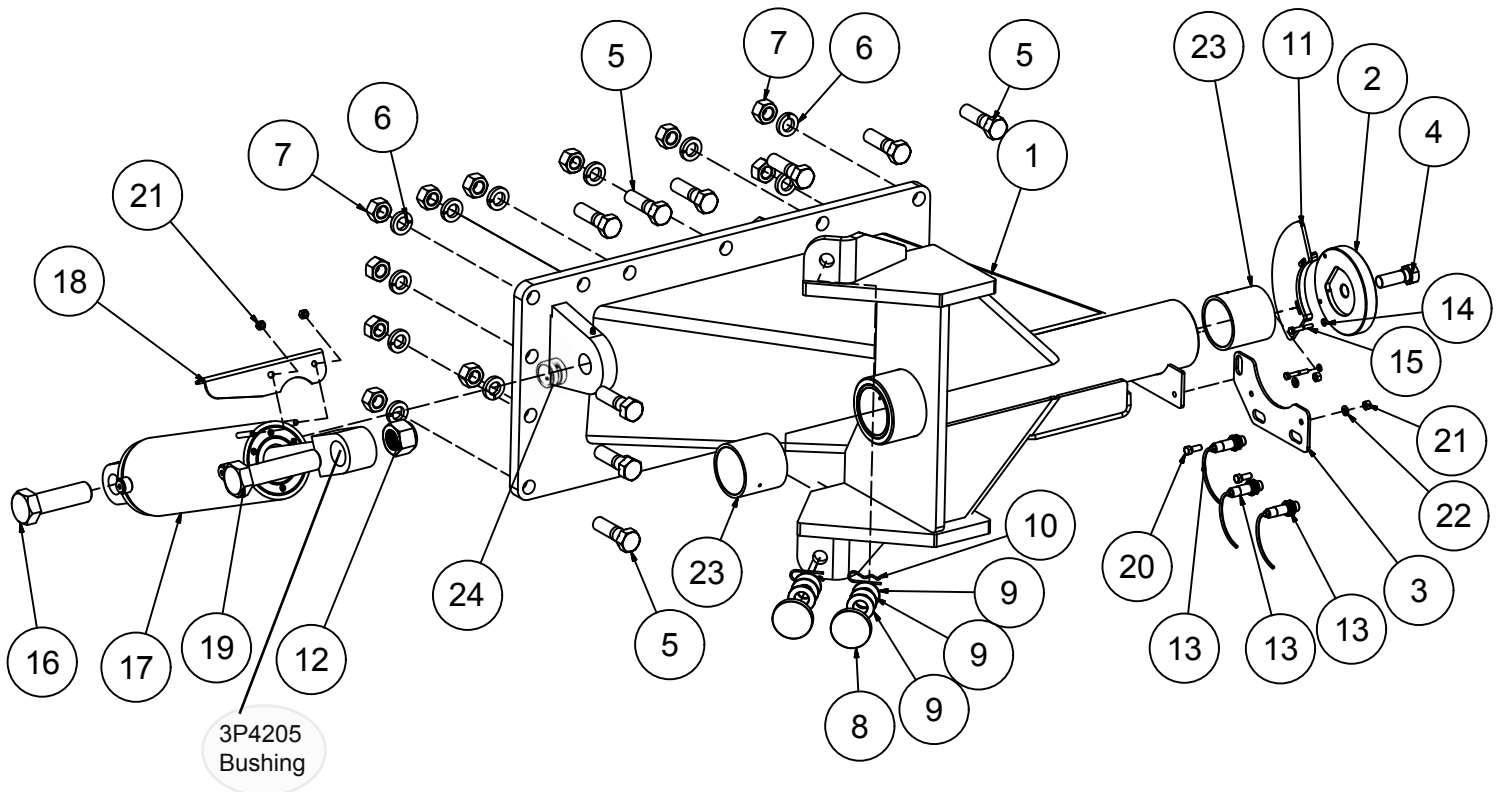
ITEM	QTY	PART NUMBER	DESCRIPTION
1	1	3P0255	Hitch Stop
2	1	3P0084	Spacer, Hitch Pivot Shaft
3	1	1P0132	Retainer, Hitch Pivot Shaft
4	1	3P4000	Hydraulic Line, Hitch Return
5	1	3P4005	Hydraulic Line, Hitch Pressure
6	4	4P5155	Hydraulic Clamp, 1", Single
7	3	4P5160	Hydraulic Clamp, 1", Double
8	6	4P5135	Bolt, 1/2-13 x .75
9	4	4P5140	Bolt - 5/8-11 x 1.25
10	4	4P5040	Washer, 5/8, Spring Lock
11	6	4P5100	Washer, 1/2, Spring Lock
12	8	4P5145	Bolt - 1/4-20 x 2
13	1	3P6000	Jack Stand
14	3	4P5150	Bolt, 5/16-18 x 2.25
15	1	2P5475	Bolt, 7/8-14 x 2.5, Grade 8
16	1	4A0505	Hitch Ball, HD
17	1	3P0250	Hitch
18	2	3P5320	Bolt, 1"-8 x 7.5", Grade 8
19	4	3P5325	Nut, 1-8
20	1	3P1060	Hitch Ball Top Spacer
21	2	3P1050	Hammer Strap
22	2	3P1055	Hammer Strap Spacer
23	1	4P5270	Bolt, 1.25-7 x 9
24	2	4P5335	Bolt, 3/4-10 x 8
25	2	4P5260	Nut, 1.25-7, Grade 8
26	4	2P5445	Nut 3/4-10, Grade 8
27	2	Hose, Tractor Hookup	3/4" 3000 psi rated hose



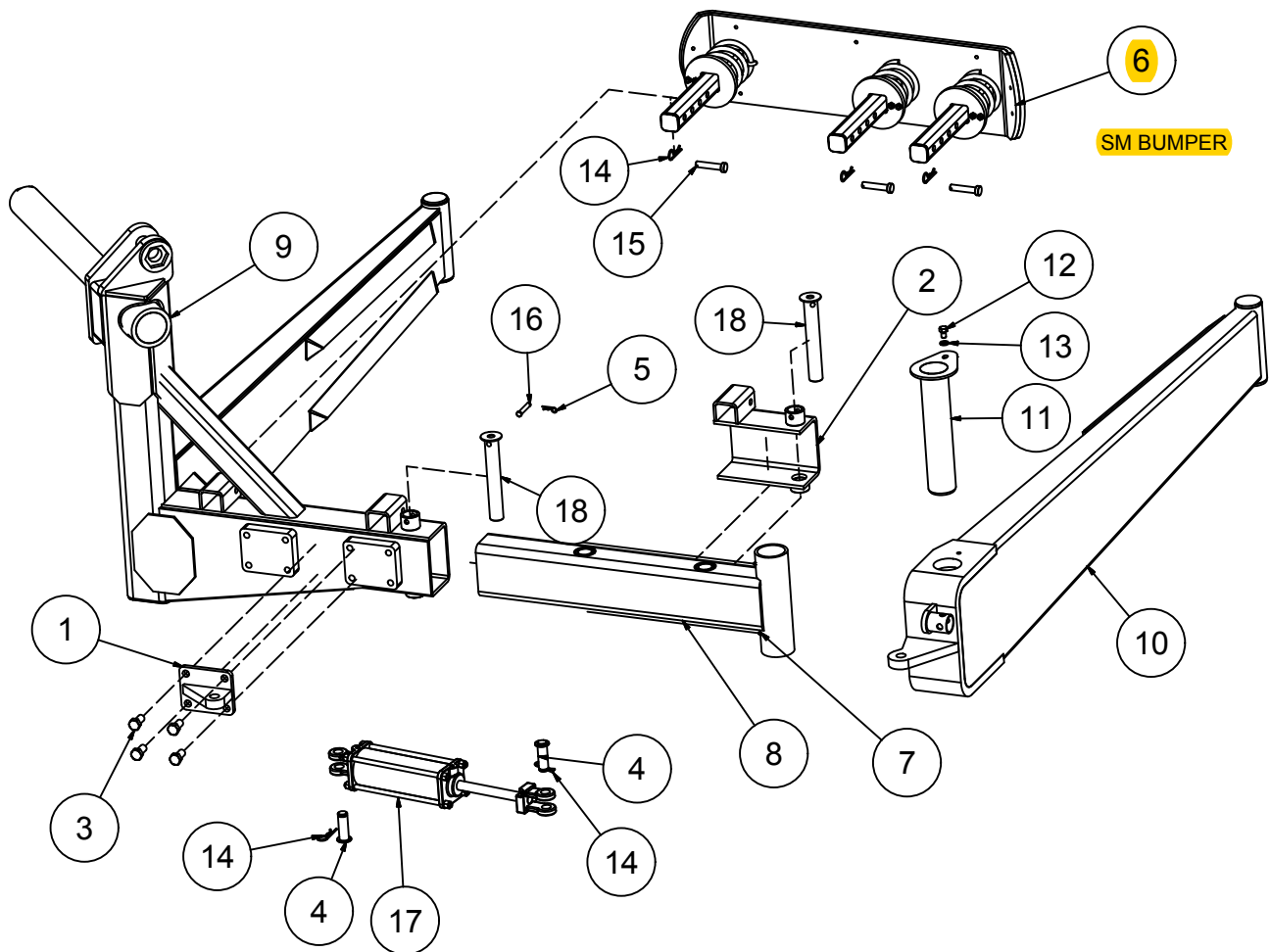
BACK

NEXT

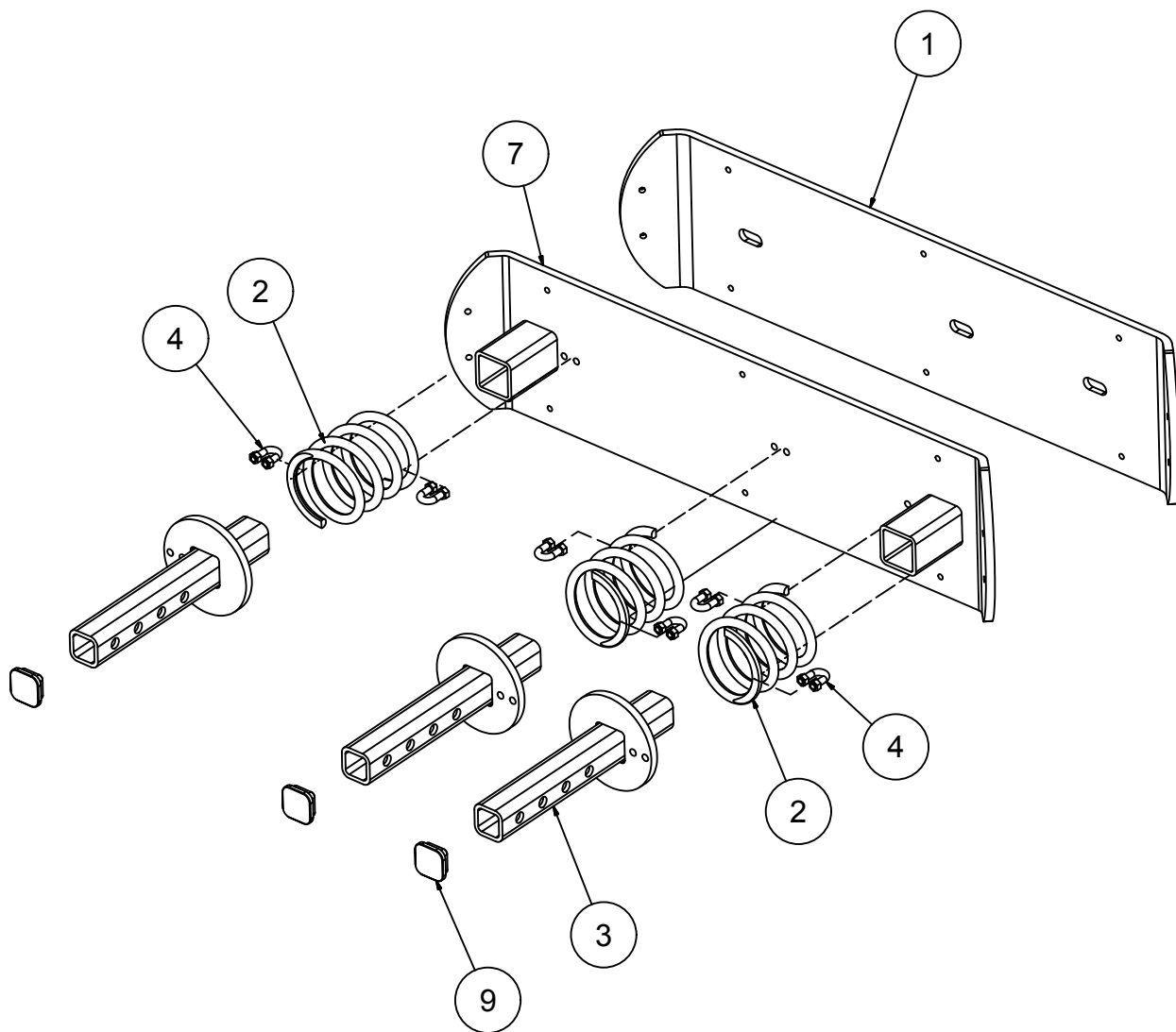
Bale Loader Pivot Frame			
ITEM	QTY	PART NUMBER	DESCRIPTION
1	1	3P0135	Clamp Pivot Frame, Pull-Type
2	1	3P2102	Shaft Cap, Keyed
3	1	3P1521	Sensor Bracket for CPF
4	1	2P5475	Bolt, 7/8-14 x 2.5, Grade 8
5	15	4P5370	Bolt, 1-8 x 3.5, Grade 8
6	15	3P5330	Washer, Lock, 1
7	15	3P5325	Nut, 1-8
8	2	1P0140	Adjustable Stop
9	6	2P0142	Shim, Clamp Frame Stop
10	2	2P6104	Hairpin
11	1	3P1505	Sensor Target
12	2	4P5380	Nut, 1.5-6 Nylon Lock Nut
13	3	4P7502	Prox Sensor, Wired
14	2	4P5070	Washer, 1/4", Spring Lock
15	2	4P5190	Bolt, 1/4-20 x 1.25"
16	1	3P5255	Bolt, 1.5-6 x 5
17	1	4A4035W	5x12 cylinder Welded
18	1	3P2105	Bracket, Hose Mount Loader Cyl
19	1	5P5375	Bolt 1.5x6.5 Grd 8
20	2	4P5085	Bolt, 3/8-16 x 1
21	4	4P5030	Nut, 3/8-16
22	4	4P5020	Washer, 3/8, Spring Lock
23	2	3P0116	PT Bearing Bronze Insert
24	1	100582	Bushing 1.5 CPF Base



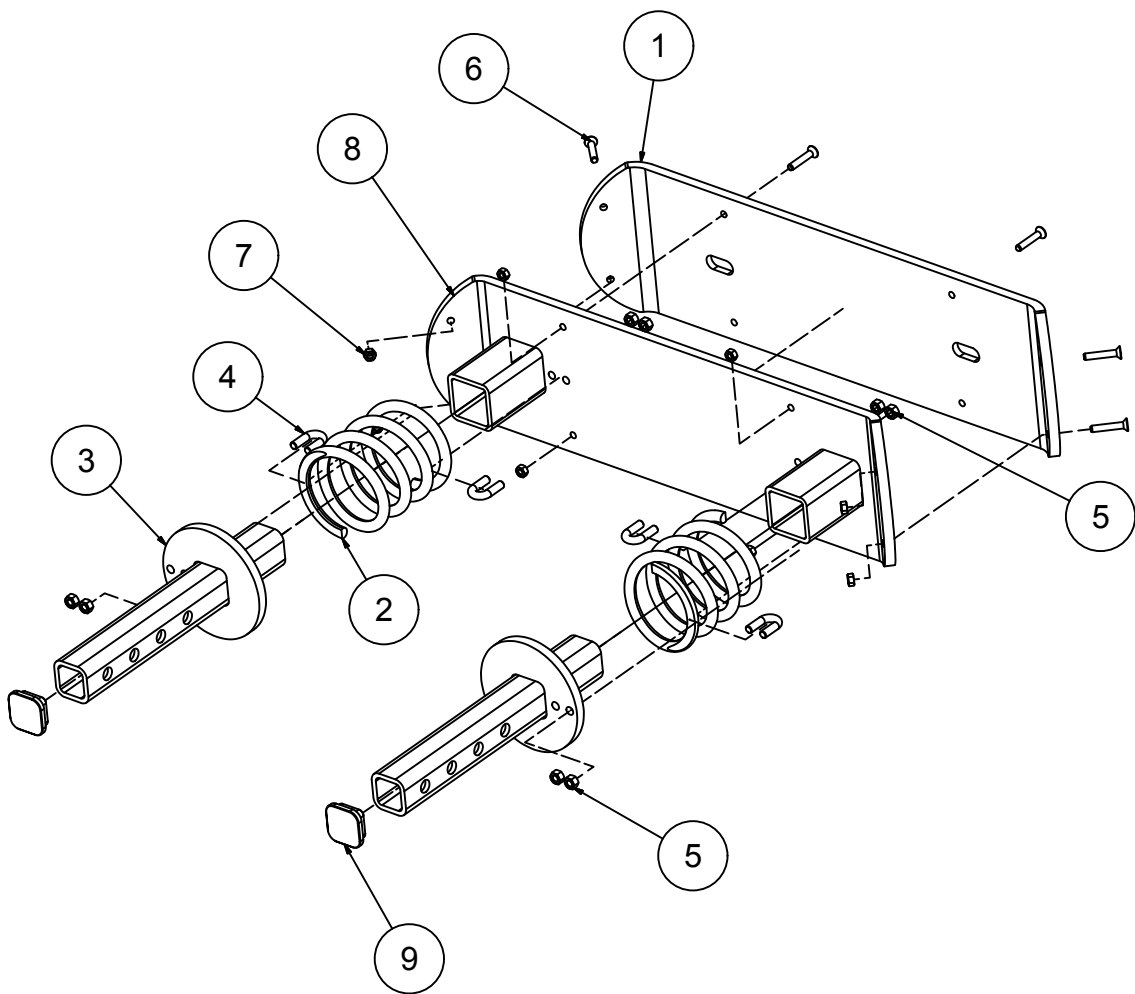
PT 1032 Bale Clamp			
ITEM	QTY	PART NUMBER	DESCRIPTION
1	1	1P0620	Mount, Clamping Cylinder Rear
2	1	1P2200	Bumper Adapter "C" Bracket
3	4	4P5385	Bolt, 3/4-10 x 1.5
4	2	2P5100	1" diameter Clevis Pin
5	1	4P5390	Hairpin Cotter Pin
6	1	1A2010	3 x 4 Cushion Bumper Assembly (see page 6)
7	2	4P5165	Grease Zerk, 1/4-28, Straight
8	1	1P0650	Clamping Arm Extension Tube
9	1	3P0751	Left Arm, PT/1032
10	1	101521	Right Arm Weldment
11	1	1P1510	Pivot Pin, Right Arm
12	1	4P5135	Bolt, 1/2-13 x .75
13	1	4P5100	Washer, 1/2, Spring Lock
14	5	4P5170	Hairpin, Size 9
15	3	2P6116	Adjusting Pin, Bale Cushion
16	1	4P5175	Clevis Pin, 7/16 x 2.5
17	1	2A4100	Hydraulic Cylinder, 3.5 x 8
18	2	1P1550	Pin, Extension Tube Position



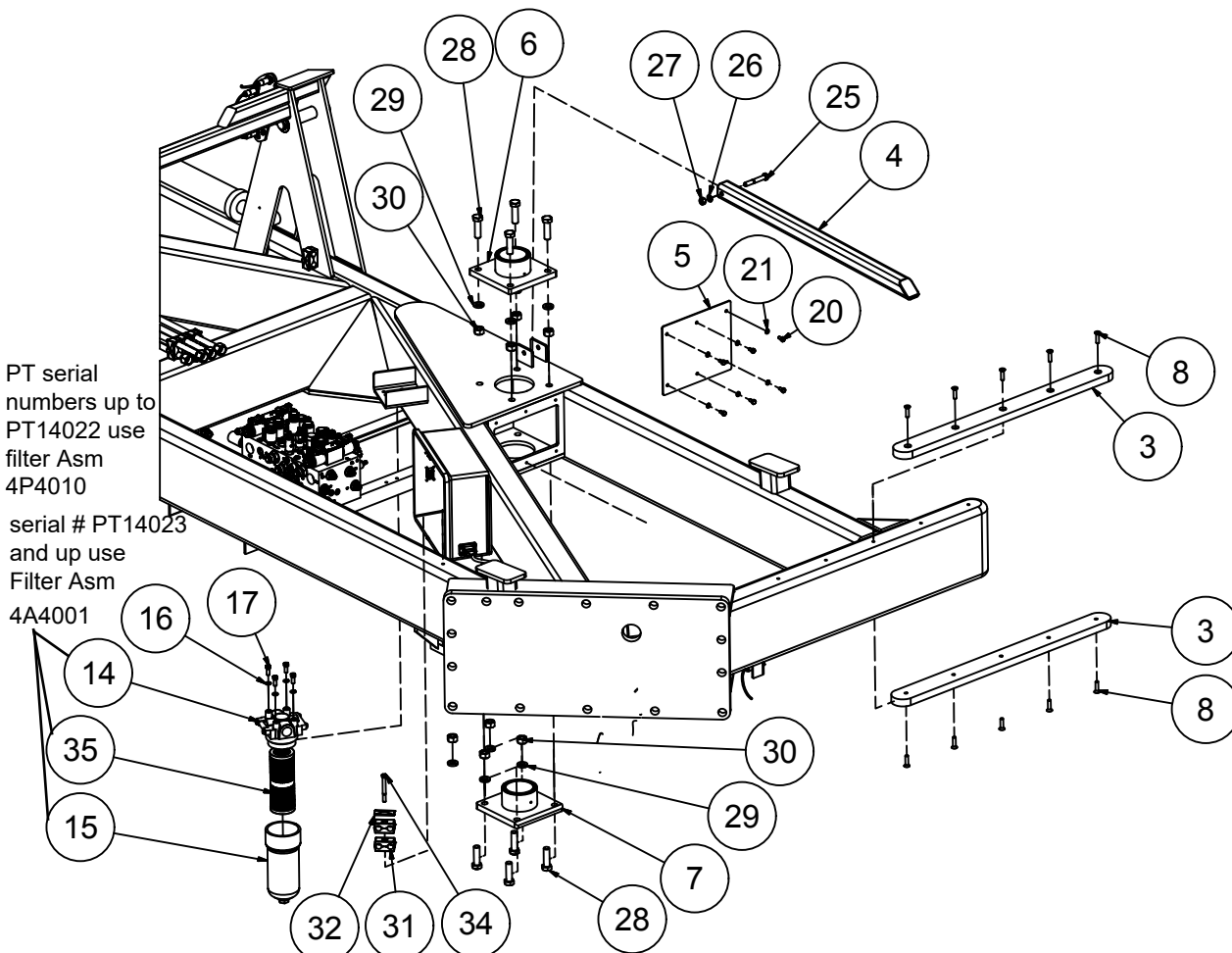
Cushion Bumper, large			
	QTY	PART NUMBER	DESCRIPTION
1	1	1P2120	Cover, UHMW, Bumper Shoe, Large
2	3	2P2115	Spring, Cushion Bumper
3	3	1P2125	Cushion Bumper Tube Weldment
4	6	1P2114	U-Bolt, 3/8-16
7	1	1P2050	Cushion Bumper Shoe, Large
9	3	1P2115	Cap, Cushion Bumper Tube



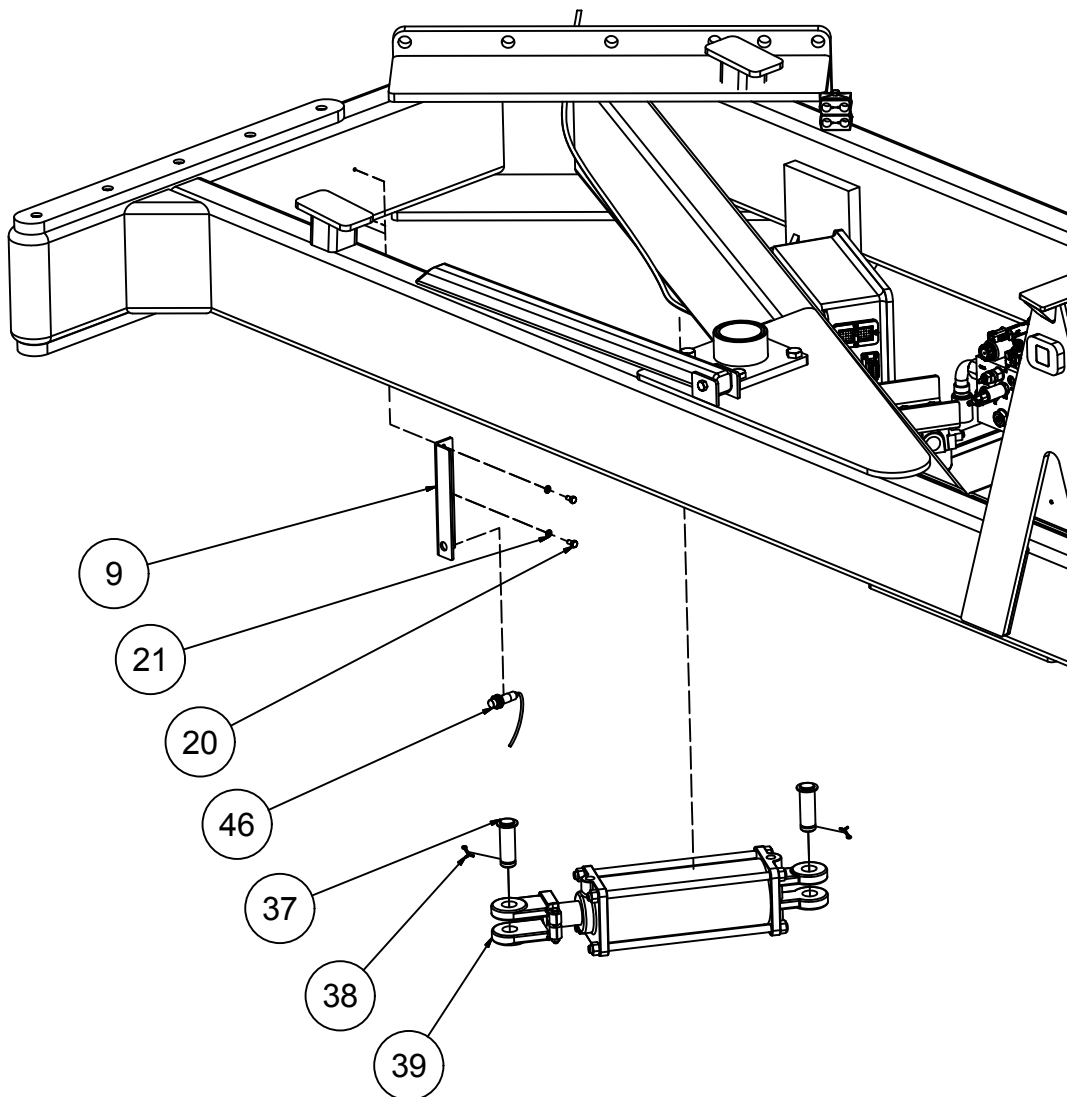
Cushion Bumper, Small			
	QTY	PART NUMBER	DESCRIPTION
1	1	1P2085	Cushion Bumper Shoe Cover, 3x3
2	2	2P2115	Cushion Bumper Spring
3	2	1P2125	Tube & Spring Retainer
4	4	1P2114	U-Bolt, 3/8-16
5	8		Nut, 3/8-16
6	8	2P5145	Screw, 5/16-18 X 1.75, Countersunk Socket Head Cap
7	8	4P5130	Nut, 5/16-18
8	1	1P2080	3 x 3 Cushion Bumper Assembly
9	2	1P2115-00	Cap, Cushion Bumper Tube



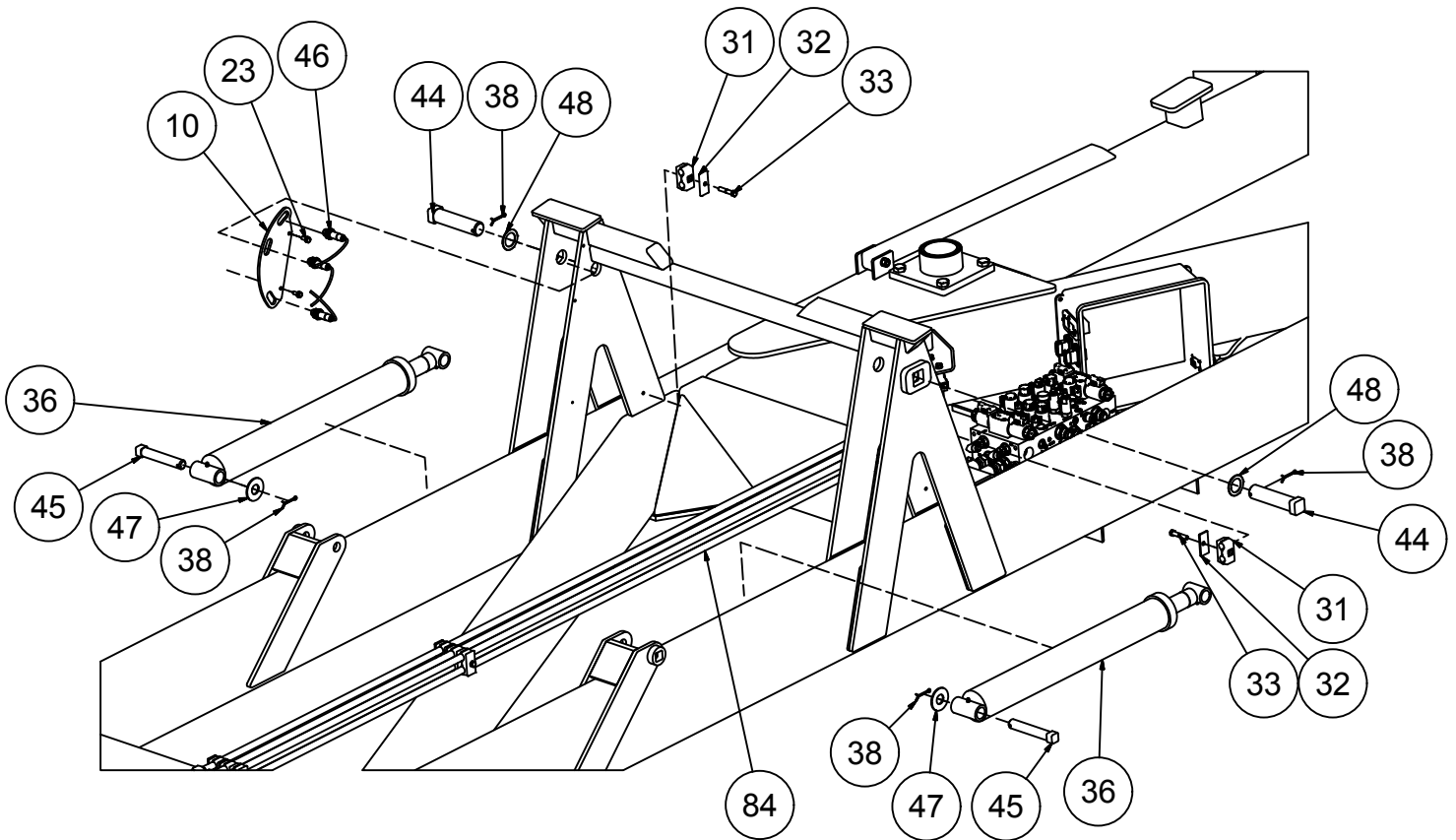
Frame Front Right			
	QTY	PART NUMBER	DESCRIPTION
3	2	3P0014	Hitch Guide UHMW
4	1	3P0036	Safety Bar
5	1	3P0049	Plate, Hitch Pivot Access
6	1	100228	Hitch Bearing, Top
7	1	3A0103	Hitch Bearing, Bottom
8	10	4P5210	Screw, 3/8-16 x 1.5, Countersunk Socket Head
14	1	4P4000	Filter Head with restriction indicator
15	1	4P4005	Filter Canister
16	8	4P5020	Washer, 3/8, Spring Lock
17	8	4P5085	Bolt, 3/8-16 x 1
20	8	4P5195	Bolt, 5/16-18 x .625
21	2	4P5200	Washer, 5/16 Spring Lock
25	1	4P5205	Bolt, 1/2-13 x 3.25, Grade 5
26	5	4P5100	Washer, 1/2, Spring Lock
27	1	4P5090	Nut, 1/2-13
28	8	2P5430	Bolt, 3/4-10 x 2.5, Grade 8
29	8	2P5440	Washer, 3/4, Spring Lock, Grade 8
30	8	2P5445	Nut 3/4-10, Grade 8
31	5	4P4025	Hose Clamp, 3/4", Double
32	4	1P4530	Clamp, .75 Hose, Top
34	1	4P5285	Bolt, 3/8-16 x 3.5
35	1	4P4011	Filter Element, High Pressure



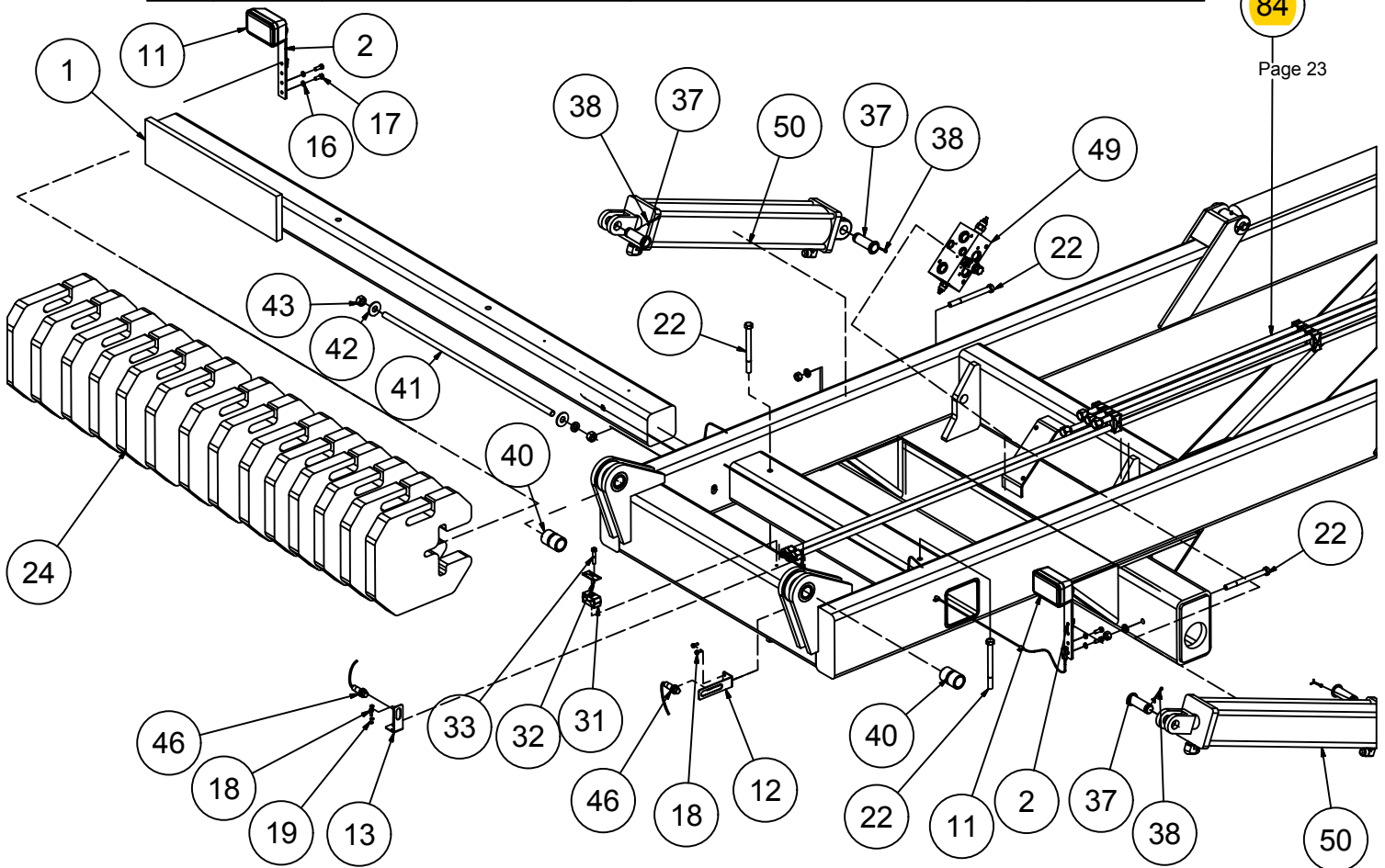
Frame Front Left			
	QTY	PART NUMBER	DESCRIPTION
9	1	3P1513	Bracket, Sensor Hitch
20	8	4P5195	Bolt, 5/16-18 x .625
21	2	4P5200	Washer, 5/16 Spring Lock
37	6	2P5110	Clevis Pin, 1 1/4" Diameter
38	4	4P5105	Pin, Cotter
39	1	2A4020	Hydraulic Cylinder, 5" x 12"
46	6	4P7501	Prox Sensor, Wired



Frame Mid Section			
ITEM	QTY	PART NUMBER	DESCRIPTION
10	1	3P1503	Sensor Bracket, Receiving Table
23	2	4P5230	Bolt, 5/16-18 x .75
31	5	4P4025	Hose Clamp, 3/4", Double
32	4	4P4030	Clamp, .75 Hose, Top
33	3	4P5220	Bolt, 3/8-16 x 2
36	2	4A4030	Hydraulic Cylinder, 3 x 24
38	4	4P5105	Pin, Cotter
44	2	3P1046	Pin, Table/Bed Pivot
45	2	3P1045	Pin, Receiving Table Cylinder Rear
46	6	4P7501	Prox Sensor, Wired
47	2	4P5365	Washer, Flat, 1"
48	2	4P5350	Shim, 1.5"
84	1	100016	Hydraulic Steel line Assembly (page 23)

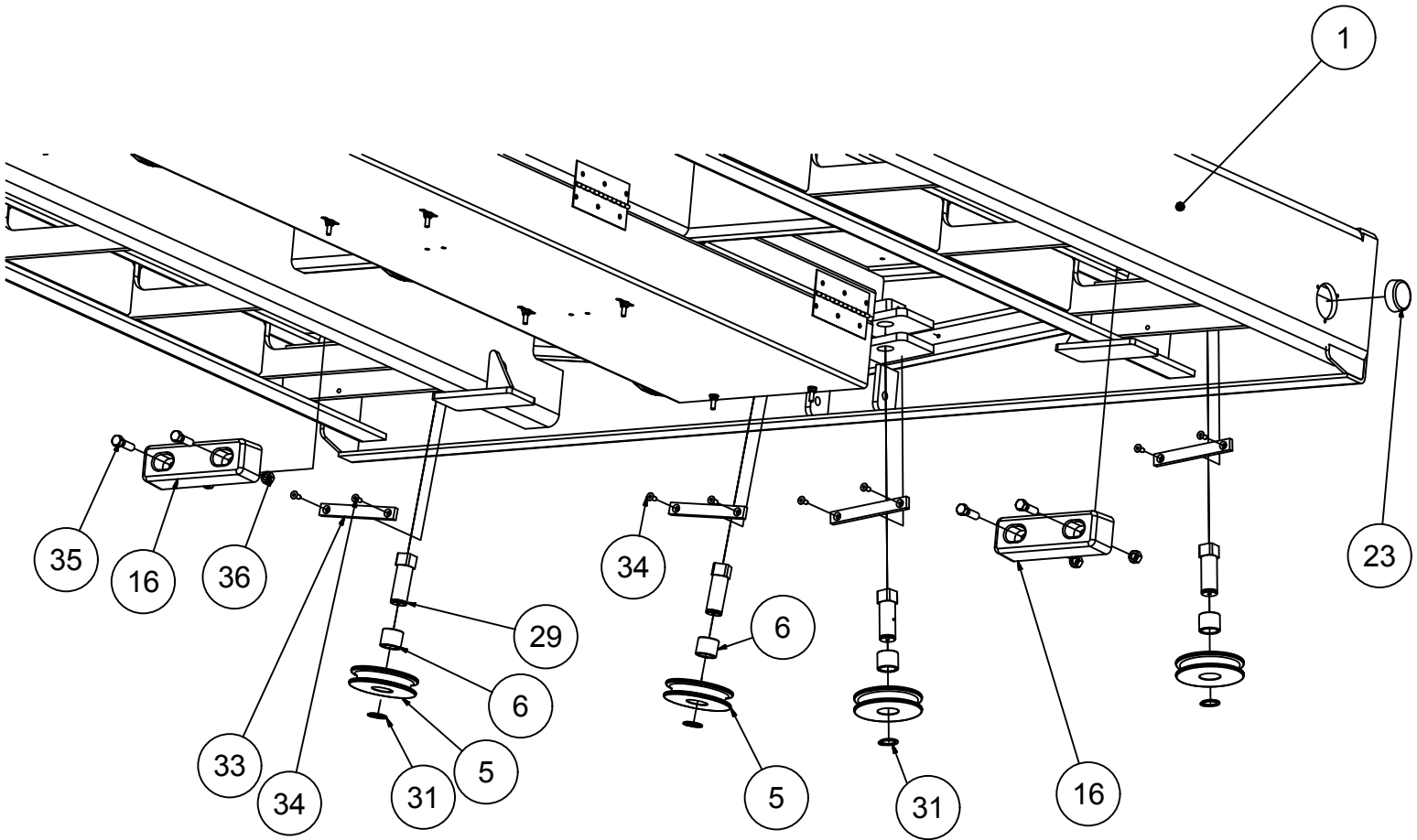


Frame Rear				
ITEM	QTY	PART NUMBER	DESCRIPTION	Page
1	1	100266	Counterweight Tube	
2	2	3P0060	Light Bracket	
11	2	5P6815	Work Light Prior to PT16006 use 4P7506	
12	1	3P0635	Sensor Bracket, Bed Up	
13	1	3P0562	Sensor Bracket, Bed Down	
16	8	4P5020	Washer, 3/8, Spring Lock	
17	8	4P5085	Bolt, 3/8-16 x 1	
18	4	4P5095	Bolt, 1/4-20 x 0.75	
19	4	4P5070	Washer, 1/4", Spring Lock	
22	4	4P5225	Bolt, 5/8-18 x 7, Grade 8	
24	14	3P0094	Counterweight	
31	5	4P4025	Hose Clamp, 3/4", Double	
32	4	4P4030	Clamp, .75 Hose, Top	
33	3	4P5220	Bolt, 3/8-16 x 2	
37	6	2P5110	Clevis Pin, 1 1/4" Diameter	
38	4	4P5105	Pin, Cotter	
40	2	3P0096	Stack Bed Pivot Bushing	
41	1	4P5240	Threaded Rod, Counterweight	
42	2	4P5250	Washer, 3/4, Flat	
43	2	4P5255	Nut, 3/4-10	
46	6	4P7501	Prox Sensor, Wired	
49	1	7510062	SO Block serial #PT15005 and up.	24
50	2	4A4060 serial# PT15025 and later	Hydraulic Cylinder, 5 x 30 Prior use 4A4025	
84	1	100016	Hydraulic Steel line Assembly (page 23)	

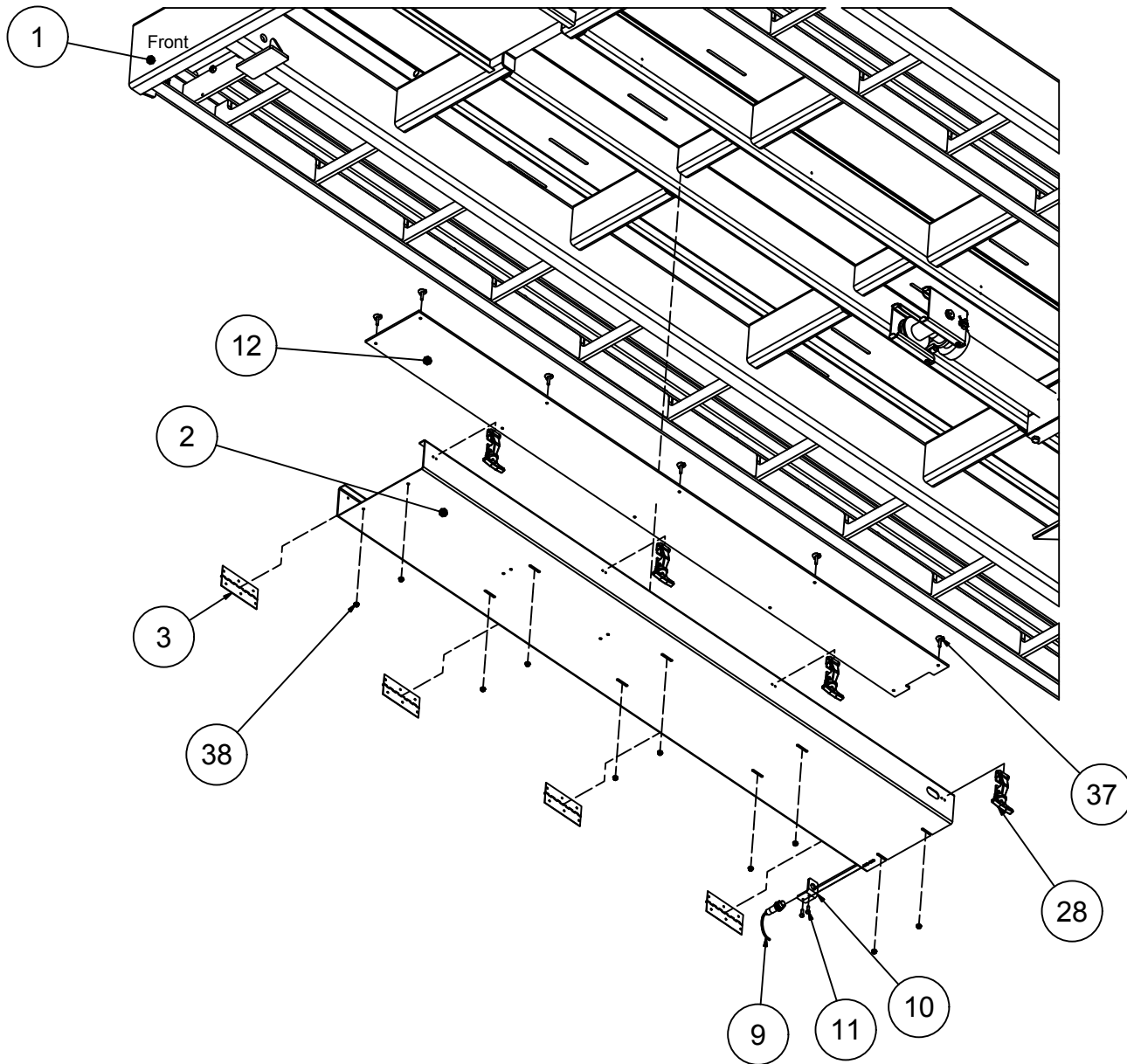


84
Page 23

Stack Bed parts,Front			
	QTY	PART NUMBER	DESCRIPTION
1	1	100264	(PT2014 uses SB2012) Stack Bed Base,2016 PT
5	6	3P0631	Cable Pulley Body, Large(includes Bronze Bearing item 6)
6	6	3P0545	Cable Pulley Bearing
16	3	4P1005	Rubber Bumper, Rolling Forks, Pushoff
23	2	4P7582	Side Marker, Amber (use rivits #5R3132)
29	4	3P0645	Pin, Rolling Rack Pulley
31	6	98585A121	Snap Ring
33	4	3P0685	UHMW Spacer, Rolling Rack Cable
34	8	4P5305	Screw, Socket Head, Countersunk .25-20 x .625
35	4	7/16-14 UNC - 1.5	Hex Bolt - UNC (Regular Thread - Inch)
36	4	7/16 - 14 Hex Nut	Hex Nuts 7/16-14

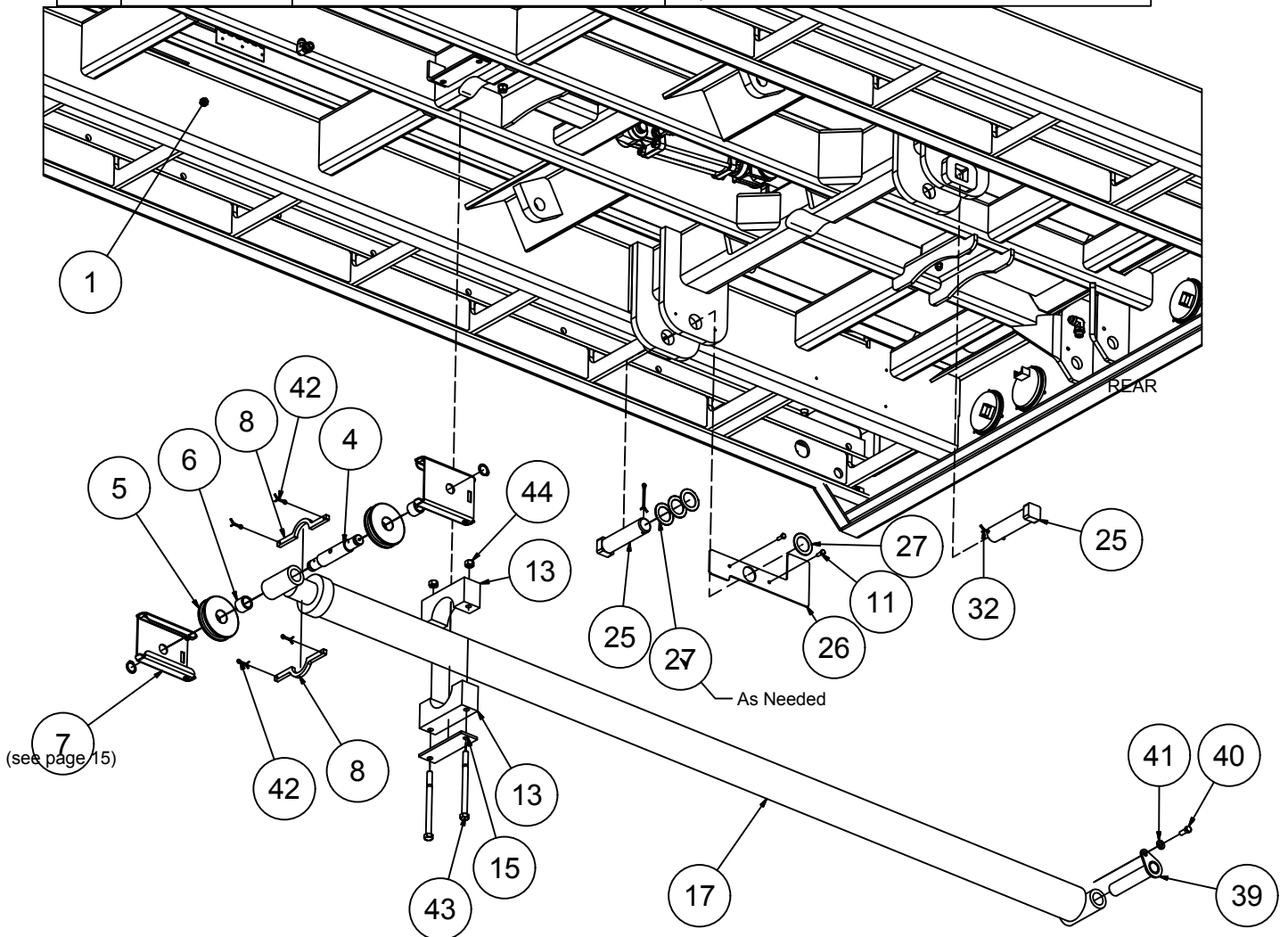


Rolling Rack Cylinder Support			
	QTY	PART NUMBER	DESCRIPTION
1	1	100264	Stack Bed Base,2016 PT
2	1	5P0665	Fork Cyl Guard Bottom
3	4	4P5295	304 Stainless Steel, Hinge
9	1	4P7501	Prox Sensor, Wired
10	1	5P0355	Bed Pan Sensor Brkt
11	4	4P5095	Bolt, 1/4-20 x 0.75
12	1	100214	Fork Cylinder UHMW Wear Strip
28	4	4P5347	Rubber Draw latch (use rivit #5R3020)
37	10	4P5005	Bolt, 1/4-20 x .75, Elevator
38	10	4P5015	Nut, 1/4-20, Flanged Nyloc



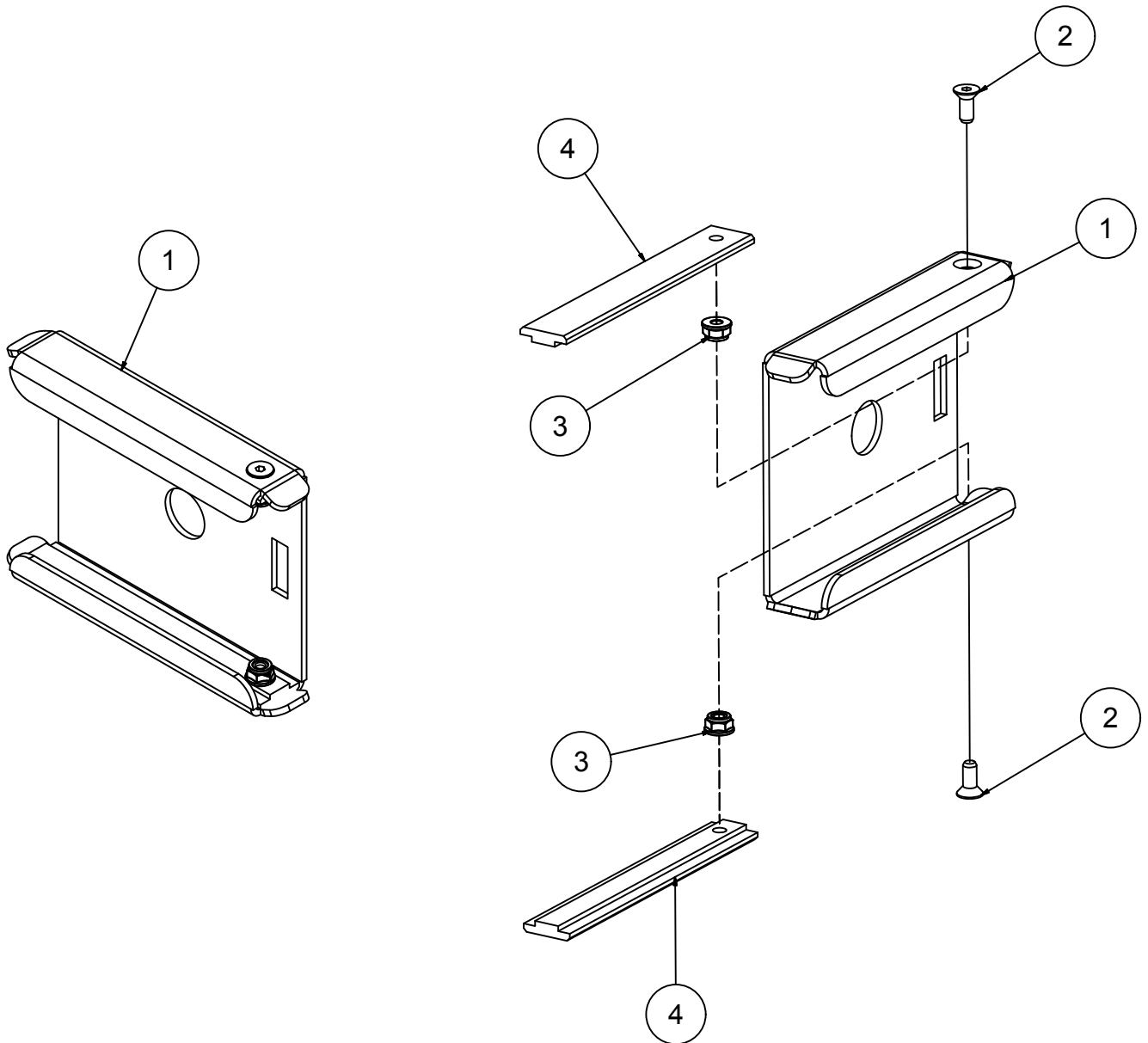
Stackbed, Bottom, Rear

	QTY	PART NUMBER	DESCRIPTION
1	1	100264	Stack Bed Base, 2016 PT
4	1	3P0555	Pin, Fork Cylinder Front
5	6	3P0630	Cable Pulley Body, Large
6	6	3P0545	Cable Pulley Bearing
7	2	cable reatainer with wear strips	See Page 15
8	2	3P0675	Fork Cable Retainer Clamp
11	4	4P5095	Bolt, 1/4-20 x 0.75
13	2	3P0540	Fork Cylinder Retainer serial PT14011 & older use 3P0538
15	1	3P0539	Fork Cylinder Retainer Bottom Plate
17	1	4A4016	Cylinder, 3x84 (serial PT14011 and older used 4A4015)
25	2	3P1046	Pin, Stack Bed Pivot
26	1	3P0561	Stack Bed Sensor Target
27	5	4P5350	Shim, 1.5"
32	2	4P5340	Cotter Pin, .156 x 2.5
39	1	3P0565	Pin, Fork Cylinder, Rear
40	1	4P5085	Bolt, 3/8-16 x 1
41	5	4P5100	Washer, 1/2, Spring Lock
42	4	4P5355	Cotter Pin, .156 x .75
43	2	4P5080	Bolt, 1/2-13 x 7
44	6	4P5090	Nut, 1/2-13

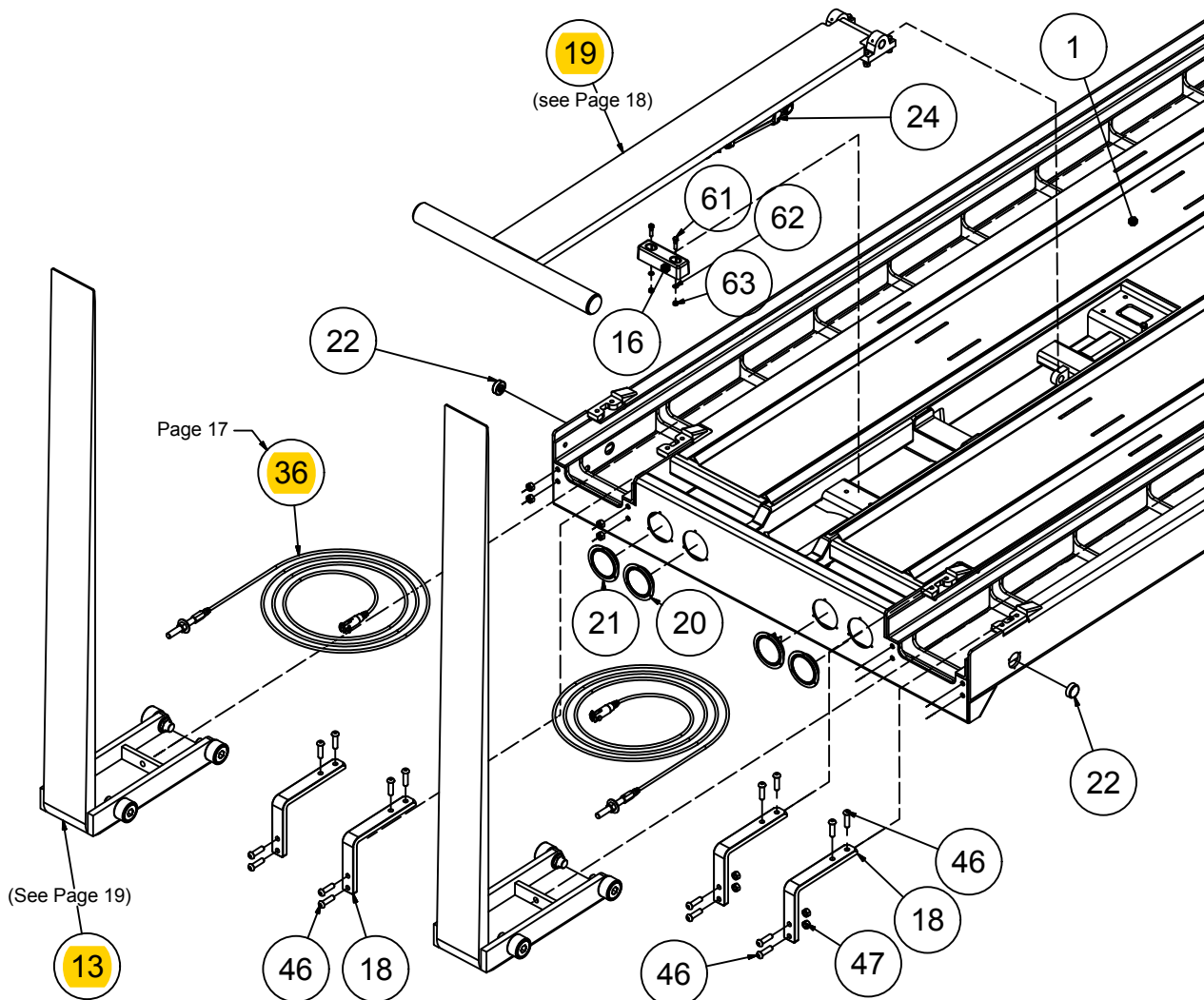


Rolling Rack Cable Retainer Asm 3K0681

	QTY	PART NUMBER	DESCRIPTION
1	1	3P0680-3	Fork Cylinder Cable Retainer
2	2	4P5305	Screw, Socket Head, Countersunk .25-20 x .625
3	2	4P5015	Nut, 1/4-20, Flanged Nyloc
4	2	3P0690	Cable Retainer Wear Strip

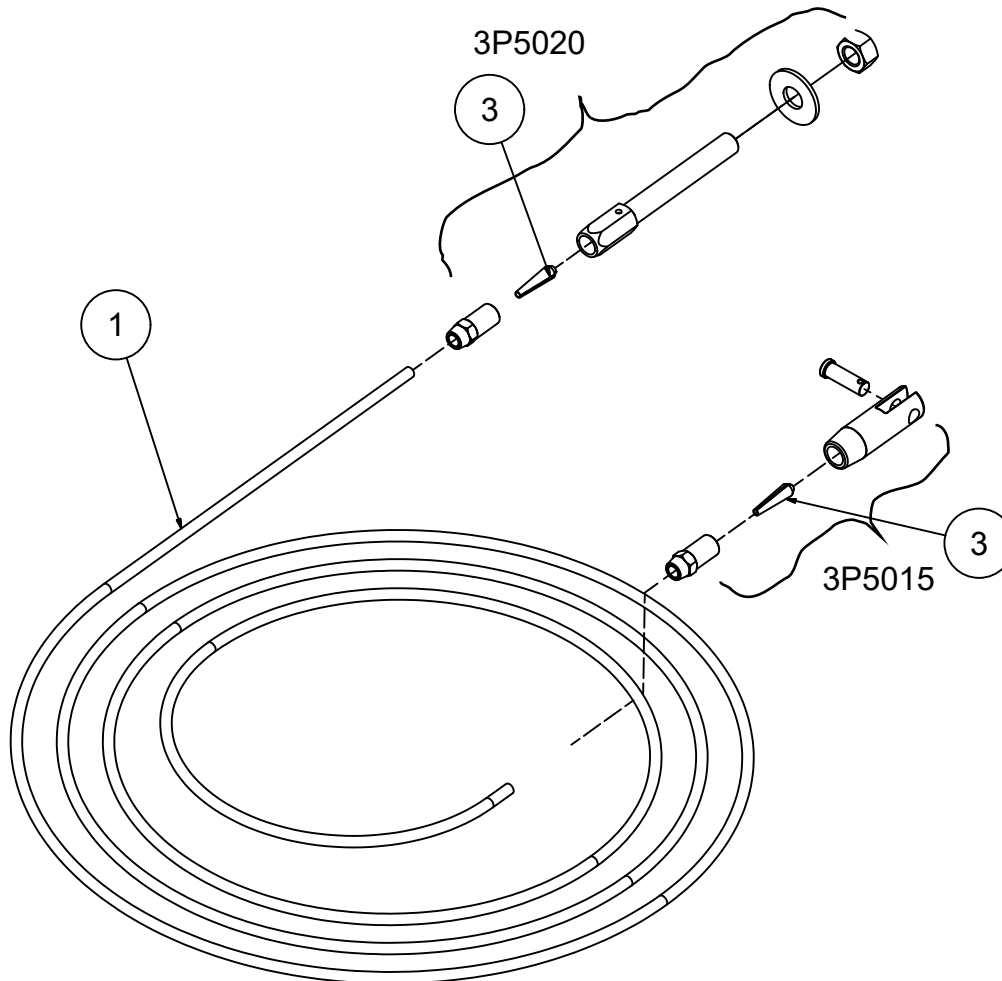


Stackbed Parts,Rear				
ITEM	QTY	PART NUMBER	DESCRIPTION	PAGE
1	1	100264	Stack Bed Base,2016 PT	
13	2	4A0650	Rolling Rack Fork Assembly	19
16	3	4P1005	Rubber Bumper, Rolling Forks, Pushoff	
18	4	3P0507	Stack Fork Roller Guide End Cap	
19	1	3P0700	Pushoff Paddle	18
20	2	4P7560	Tail Light, 4", Red	
21	2	4P7565	Tail Light, 4", Amber	
22	2	4P7581	Side Marker, Red	
24	1	4A4037	3 x 6 Hyd Cylinder	
36	2	3A5010	Cable Assembly, Rolling Rack	17
46	16	Bolt 5/8 - 11 x 2 1/4	Hexagon Socket Button Head Cap Screw	
47	8	4P5110	Nut, 5/8-11	
61	2	3/8-16 UNC - 1.5	Hex Bolt - UNC (Regular Thread - Inch)	
62	2	4P5020	Washer, 3/8, Spring Lock	
63	2	Nut, 3/8-16	Nut, 3/8-16 Nylon Lock	

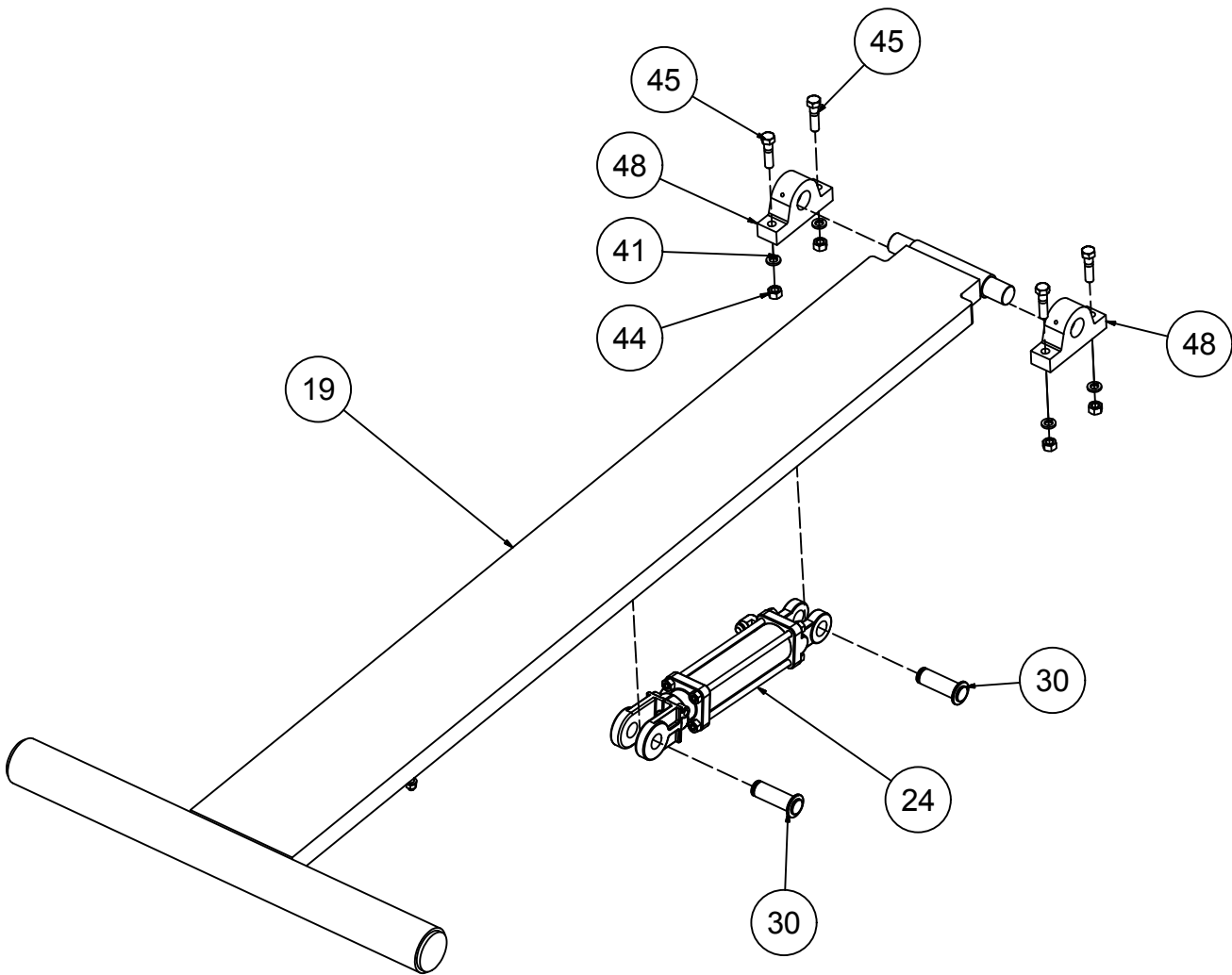


Rolling Rack ,Cable Assembly 5A5015			
	QTY	PART NUMBER	DESCRIPTION
1	1	WIRE ROPE 3/8-6X6	Cable, Rolling Rack
		4P5020	Fork Cable Bolt
3		4P5025 can be bought seperately	Fork Cable Clevis Brass Insert
		3P5020 sold as an assembly	Fork Cable Clevis Bolt
			Nut, 3/4-10
			Washer, 3/4, Flat
		3P5015 sold as an assembly	Fork Cable Clevis
			Fork Cable Clevis Pin
			Cotter Pin, 1/8 x .75

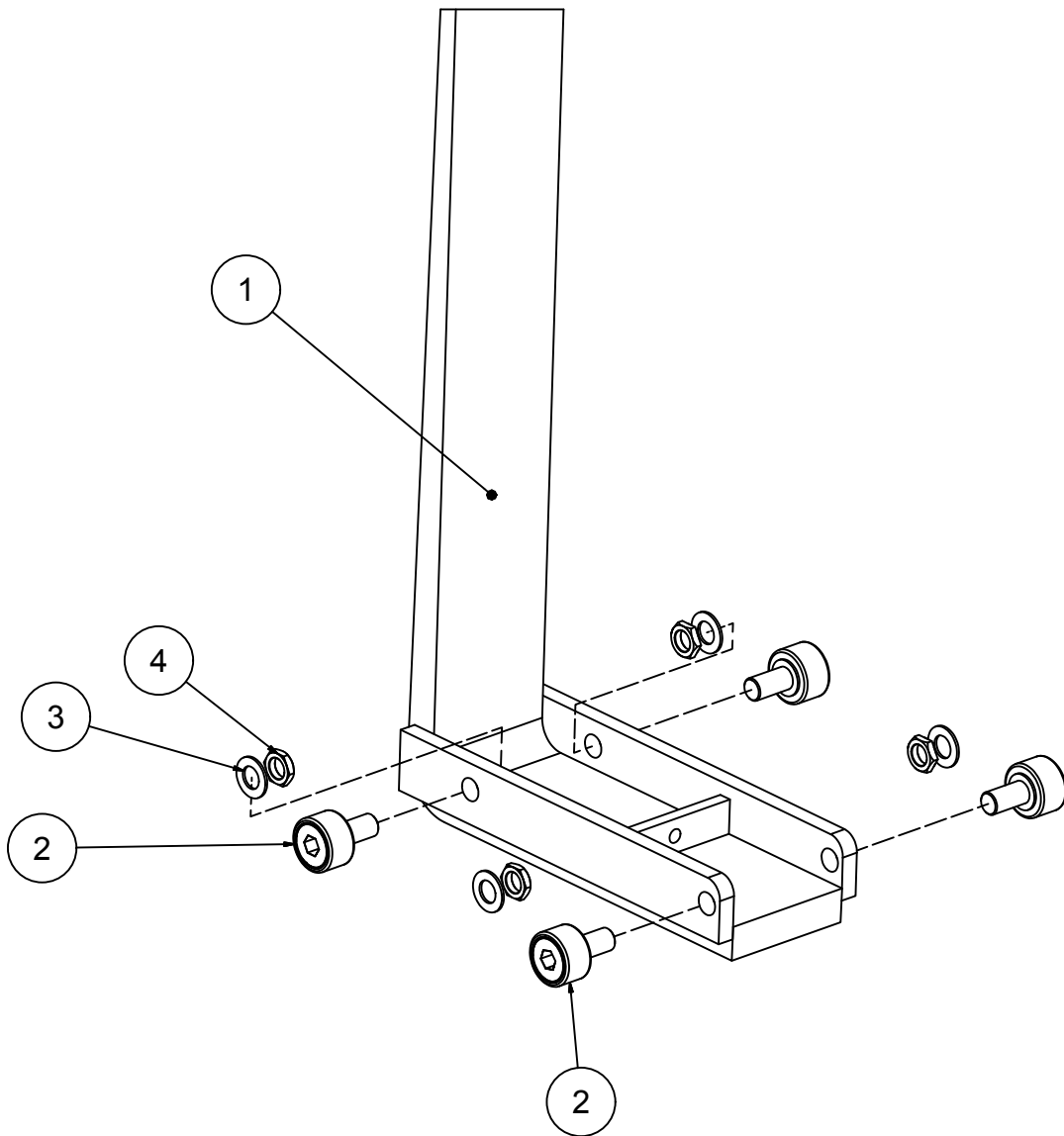
3A5012 Rolling Rack Cable assembly



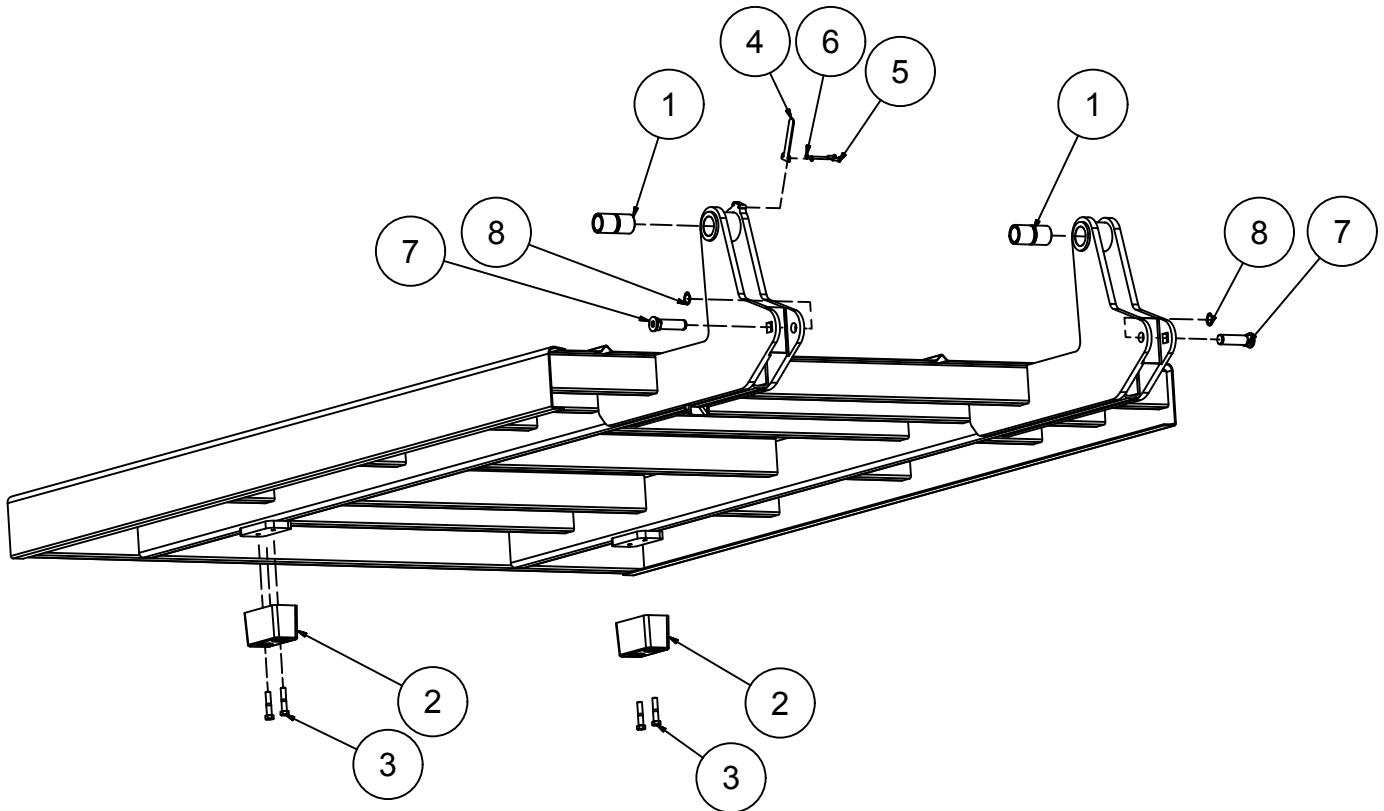
Pushoff Assembly			
	QTY	PART NUMBER	DESCRIPTION
19	1	3P0700	Pushoff Paddle
24	1	4A4037	3 x 6 Hyd Cylinder
30	2	2P5100	1" diameter Clevis Pin
41	5	4P5100	Washer, 1/2, Spring Lock
44	6	4P5090	Nut, 1/2-13
45	4	Hex bolt 1/2-13 x 2"	Hex Bolt 1/2x13x2"
48	2	3P0709	Pushoff Bearing Block



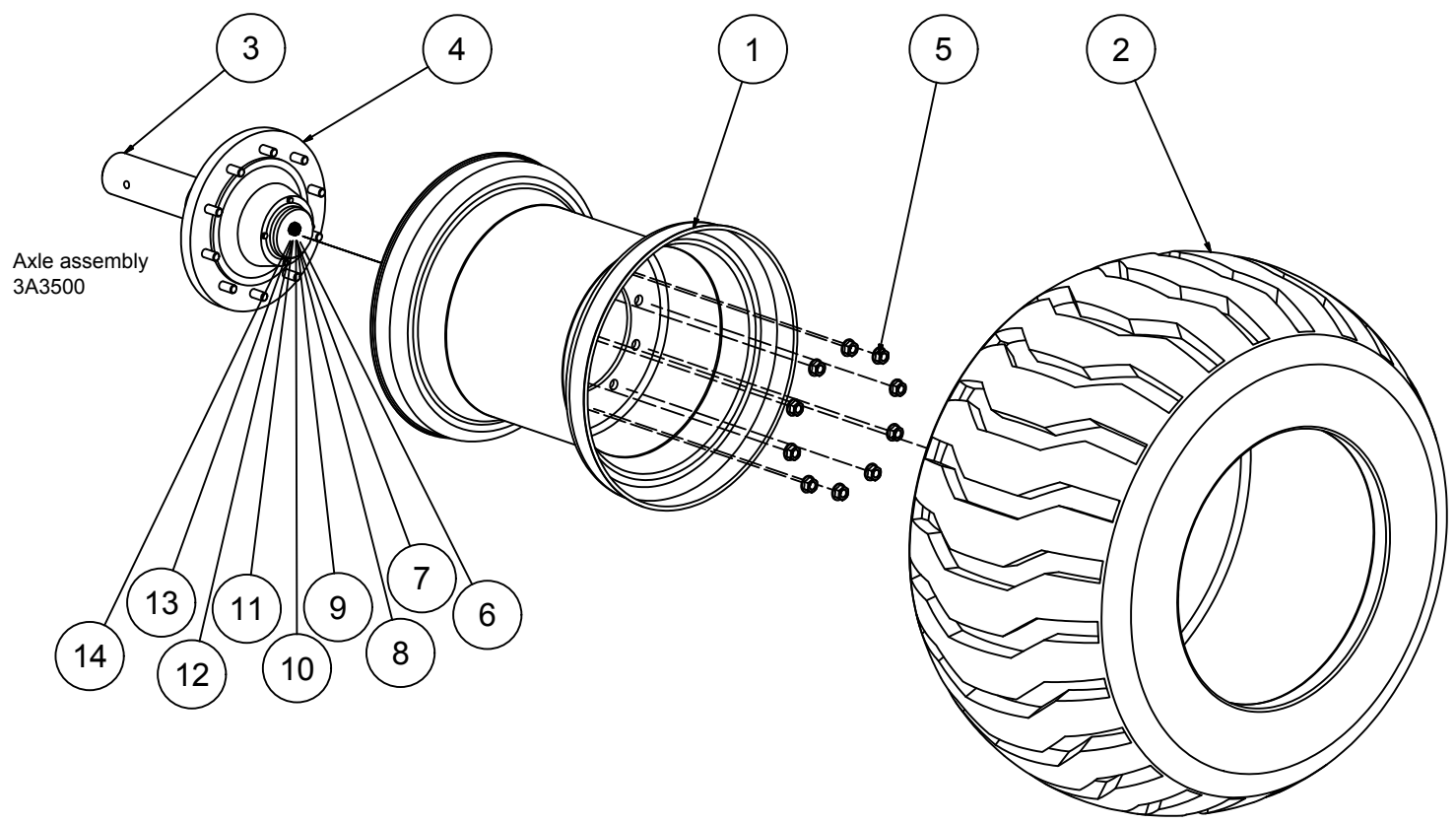
Rolling Rack Fork Assembly			
	QTY	PART NUMBER	DESCRIPTION
1	1	3P0650	Rolling Rack Fork Weldment
2	4	4P0560	Rolling Rack Roller
3	4	4P0570	Washer, Rolling Rack Roller
4	4	4P0575	Nyloc-Nut, Rolling Rack Roller



Receiving Table Parts.			
	QTY	PART NUMBER	DESCRIPTION
1	2	100254	Receiving Table Pivot Bushing
2	2	4P1000	Rubber Bumper, 3" High, 6" Wide, 3-1/2" Deep
3	4	4P5360	Bolt, 1/2-13 x 2.5
4	1	3P1504	Sensor Target, Receiving Table
5	2	4P5095	Bolt, 1/4-20 x 0.75
6	2	4P5070	Washer, 1/4", Spring Lock
7	2	3P1025	Pin, Lift Table Cyl - Front
8	2	98585A121	Snap ring



Wheel Assembly			
	QTY	PART NUMBER	DESCRIPTION
1	1	3P3505	Wheel
2	1	3P3500	Tire
3	1	3P3510	Axle Spindle
4	1	3P3515	Axle Hub
5	10	4P5235	Lug Nut
6	1	4P5391	Hub Cap
7	1	4P5392	Race,Inner Bearing
8	1	4P5393	Bearing,Inner
9	1	4P5394	Race,Outer Bearing
10	1	4P5395	Bearing ,Outer
11	1	4P5396	Nut,Spindle
12	1	4P5397	Cotter pin
13	1	4P5398	Washer, Spindle
14	1	4P5399	Seal



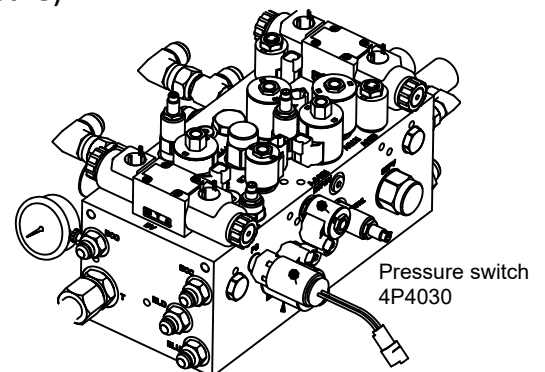
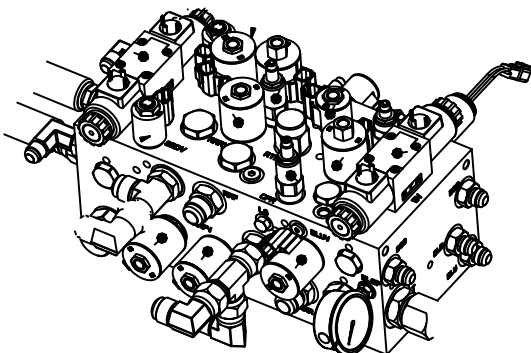
Label	MS Valve	MS Seal Kit	Installation
	Part #	Part #	Torque
TCV	4P4415	4P4416	50 ft-lbs
RTUCV,RRFCV	4P4440	4P4441	30 ft-lbs
BLCV	4P4520	4P4521	25 ft-lbs
SBUV, SBDV	4P4710	4P4711	20 ft-lbs
FR	4P4400	4P4401	105 ft-lbs
BC	4P4535	4P4536	25 ft-lbs
SBPV	4P4425	4P4426	54 ft-lbs
CPR	4P4515	4P4516	27 ft-lbs
RTPPDV	4P4455	4P4456	35 ft-lbs
RRRVH	4P4480	4P4521	25 ft-lbs
RRRVL	4P4495	4P4521	25 ft-lbs
CHPR	4P4560	4P4521	25 ft-lbs
BPV	4P4555	4P4441	35 ft-lbs
RTDV	4P4445	4P4446	35 ft-lbs
RTUV	4P4430	4P4441	37 ft-lbs
RRFV, BLUV, RRRV	4P4470	4P4521	25 ft-lbs
RRHPV, BLHV	4P4485	4P4521	25 ft-lbs
BLC	4P4525	4P4521	25 ft-lbs
RTPDV, LS	4P4460	4P4461	20 ft-lbs
HLCV, HRCV, BCCCV, BCOCV	4P4405	4P4521	25 ft-lbs

Valve Block Harness, serial # PT14026 and prior use 3P7525, PT14027 and later 3P7526

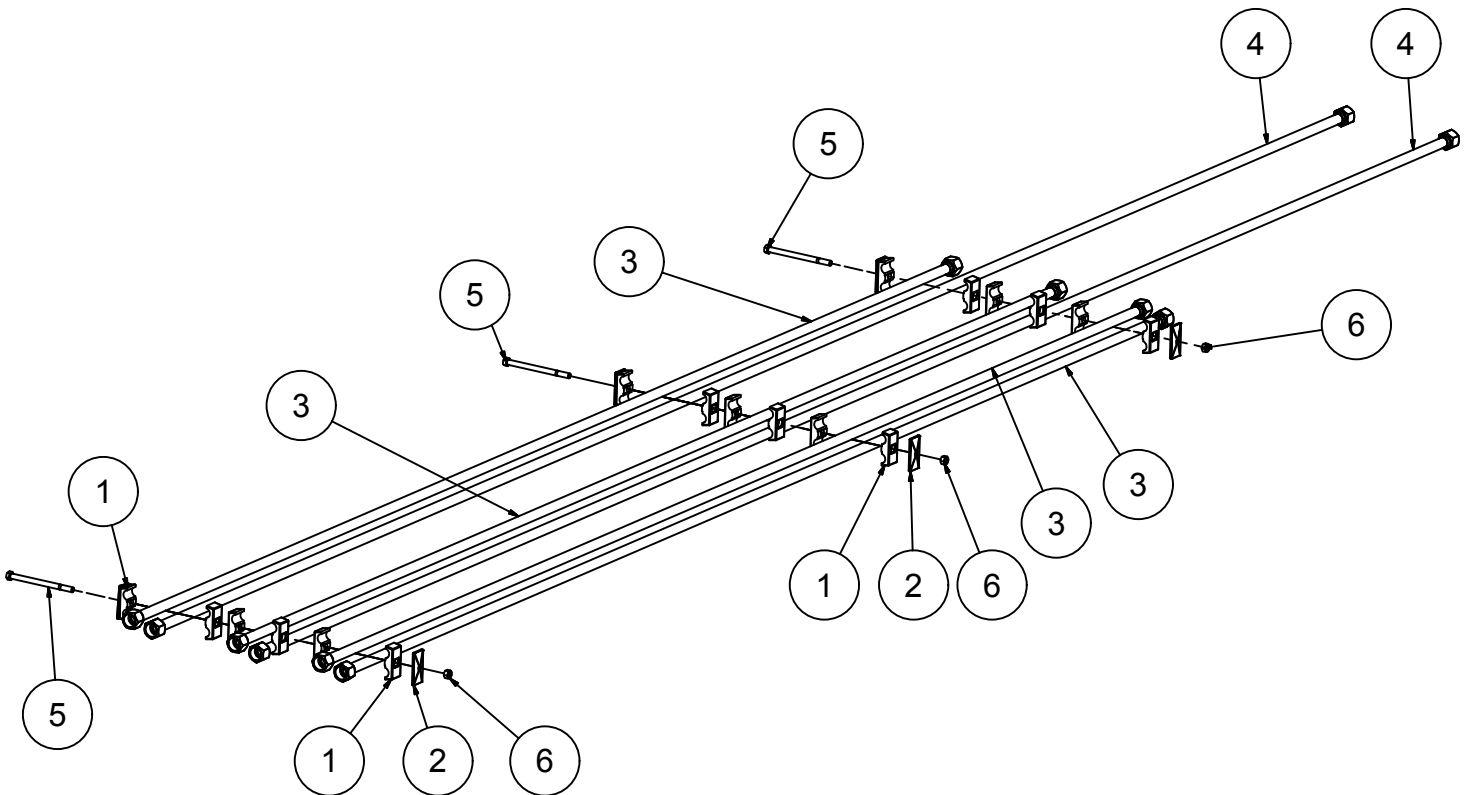
Serial numbers prior to PT17008 use an external Recieving table

Pressure Relief, Part# 4P4565, 4P4570, fittings and hoses see page 27,28

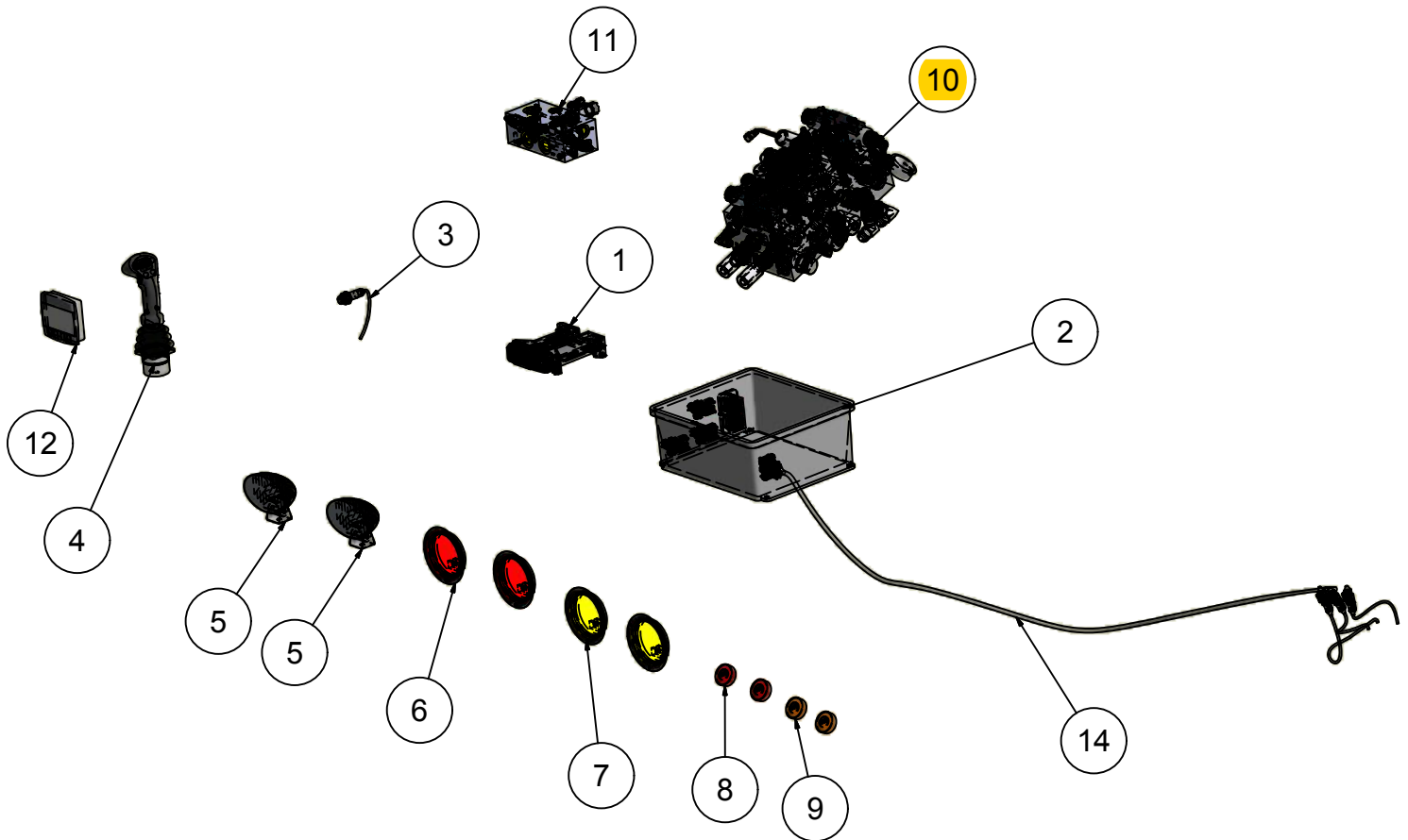
Main Hydraulic Manifold, Serial # PT15005 to PT17007 use 3A4010(Gold Hydac)
Serial #PT17008 and Later use 3A4015 (Silver Ductile)



100016, Steel Hydraulic line Assembly			
ITEM	QTY	PART NUMBER	DESCRIPTION
1	9	4P4025	Hose Clamp, 3/4", Double
2	6	4P4030	Clamp, .75 Hose, Top
3	4	3P4320	Stainless Steel Hydraulic line (Short)
4	2	3P4325	Stainless Steel Hydraulic line (long)
5	3	3/8-16 UNC - 5.5	Hex Bolt - UNC (Regular Thread - Inch)
6	3	Nut, 3/8-16	Nut, 3/8-16



ITEM	PART NUMBER	DESCRIPTION	PAGE
1	MC 050-110, Danfoss		
2	4P7614	Computer Box,	
3	4P7501	Prox Sensor, Wired	
4	4P7600	Joystick, Mil-Stak controll	
5	5P6815	Work Light, Oval 2800 lm Serial # 16006 and later	
6	4P7560	Tail Light, 4", Red	
7	4P7565	Tail Light, 4", Amber	
8	4P7570	Side Marker, Red	
9	4P7575	Side Marker, Amber	
10	4A4000	Hydraulic Manifold	
11	7510062	SO Block Serial number 15005 and later	
12	4P7605	Danfoss Display	
13	See page 25	Light wire harness	
14	See Page 25	Tractor Harness	



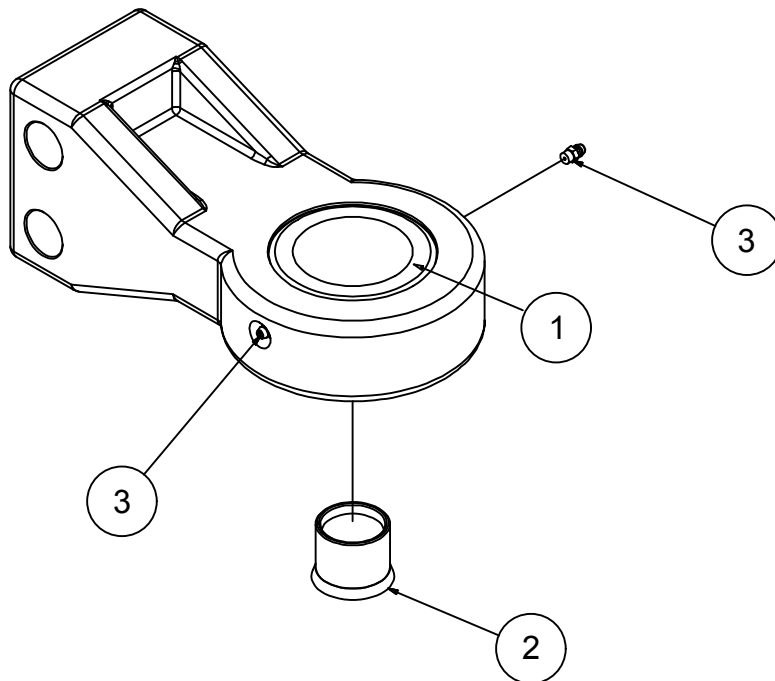
Electrical Harness' & Components

Current Production

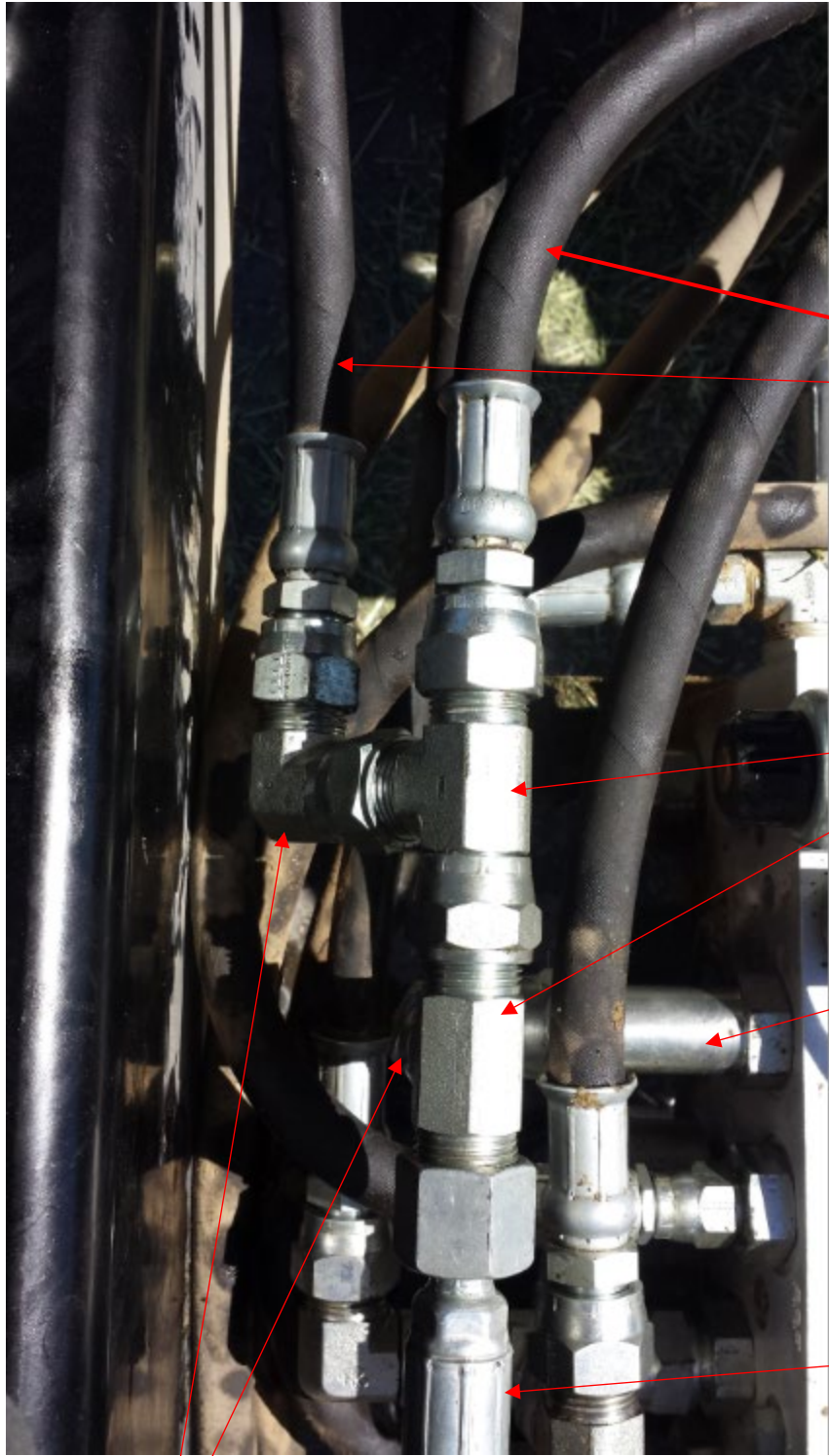
Part #	Description	Serial #	
		Prior to	and Later
3A7600	Controller Assembly, PT/2014-2016		PT14001
3A7625	Light Connection Box Assembly, PT/2014		PT14001
3P7500	Wire Harness, Clamp & Hitch Sensors		
3P7505	Wire Harness, Receiving Table Sensors		
3P7511	Wire Harness, Stack Bed Sensors		PT14001
3P7526	Wire Harness, Valve Block PT/2014		PT14027
3P7551	Wire Harness, Tractor PT/2014		PT14001
3P7566	Wire Harness, Hitch PT/2014		PT14001
3P7581	Wire Harness, Hitch to Light Box PT/2014		PT14001
3P7585	Wire Harness, Marker Lights		
3P7590	Wire Harness, Tail Lights RH		
3P7592	Wire Harness, Tail Lights LH		
3P7595	Wire Harness, Work Lights		
Older Production			
3A7500	Controller Assembly, PT/2012		
3A7620	Light Connection Box Assembly, PT/2012		
3P7510	Wire Harness, Stack Bed Sensors PT/2012		
3P7525	Wire Harness, Valve Block PT/2012 - PT/2014	PT14026	
3P7550	Wire Harness, Tractor PT/2012		
3P7565	Wire Harness, Hitch PT/2012		
3P7580	Wire Harness, Hitch to Light Box PT/2012		
Components			
4P7501	Sensors		
4P7505	Work Lights up to serial #16005		
5P6815	Work Led light serial #16006 and later.		
4P4030	Pressure Switch All PT models		

Bull Pull 4A0505 serial number PT16007 and later

ITEM	PART NUMBER	DESCRIPTION	PAGE
1	4P0515	Ball, Bull Pull	
	4P0516	Snap Ring (Not Shown)	
2	4P0517	Bushing 1-1/4	
2	4P0518	Bushing 1-1/2	
3	4P5165	Grease Zerk, 1/4-28, Straight	



[Back](#)



**Hoses to Receiving Table
Cylinders (Pressure)**

Valve Block

Tees Provided

**Long Adapter
Provided**

**Hose to Pressure Relief
(provided)**

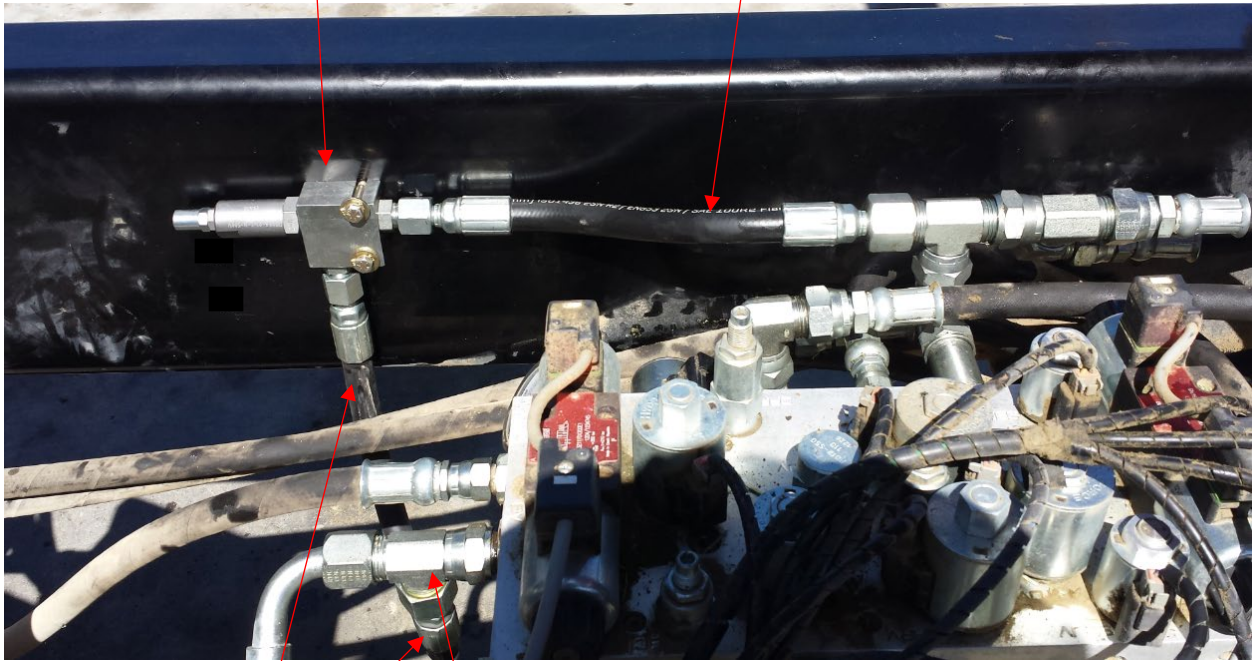
Elbows Provided

* Pressure Relief, Part# 4P4565, 4P4570, fittings and hoses. Serial# PT14029 Thru #PT17008

**Pressure Relief Valve
(Provided)**

4P4565 4P4570

**Hose from Cylinder Pressure
Pressure Relief (Provided)**



**Hose from Pressure
Relief to Return
(Provided)**

**Tee
(Provided)**